

TACT SWITCH

P/N: TSX08131

WATERPROOF



SPECIFICATIONS

Function: Momentary action
 Contact Arrangement: SPST, Normally Open
 Termination: THD version

Mechanical

Actuation Force: 230±50grams
 Life Expectancy: 100,000 Operations

Electrical

Contact Rating: 50mA @ 12V DC
 Dielectric Strength: 250VAC for 1minute
 Contact Resistance: 100mΩ Max.
 Insulation Resistance: 100MΩ Min.
 Travel: 0.35±0.1mm

Environmental

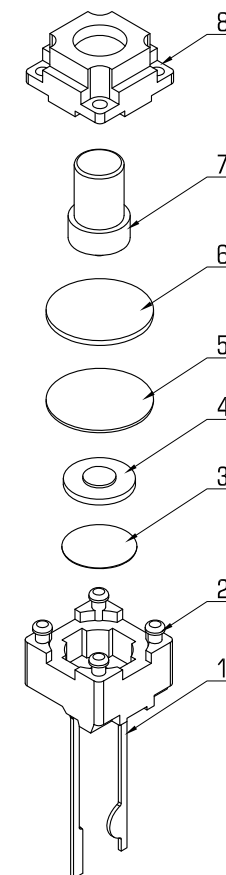
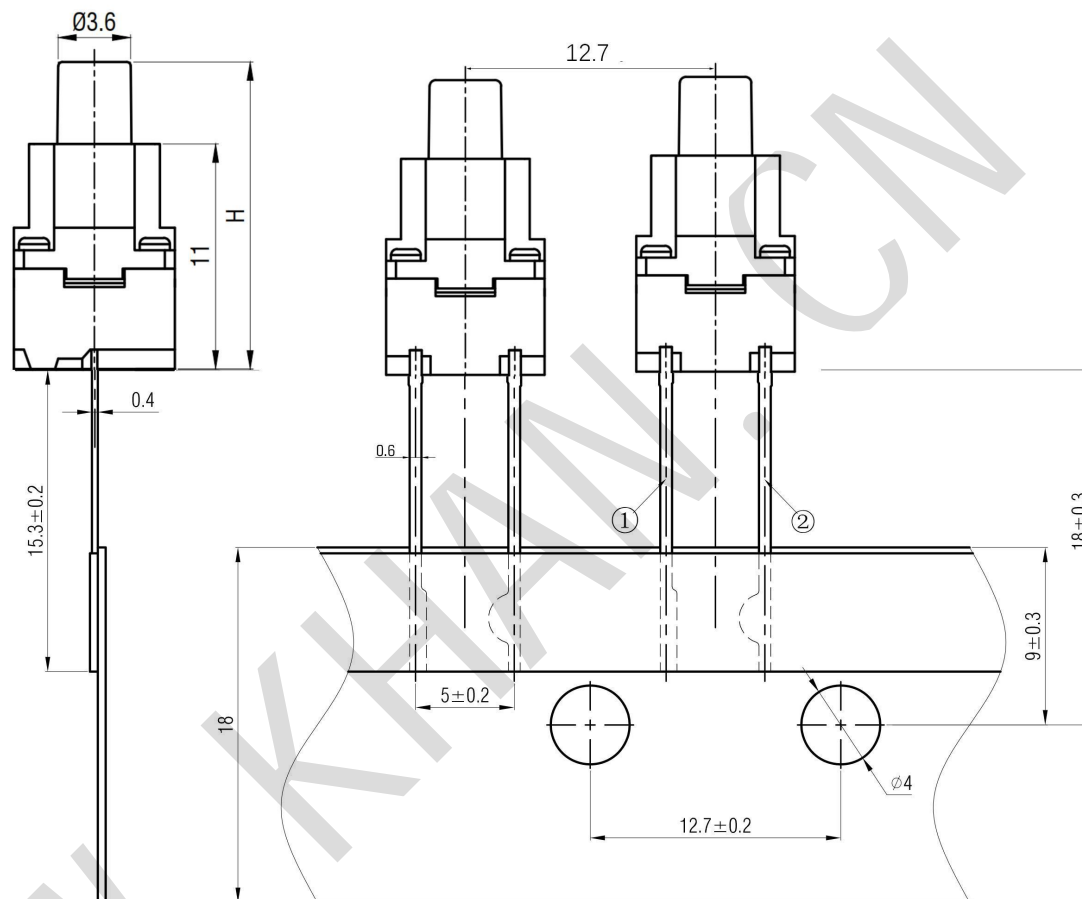
Operating Temperature: -25~+70°C
 Relative Humidity: (40°C) ≤95%

Materials

8.Cover: Black GP.PA66
 7.Stem: Black GP.PA66
 6.Washer: Rubber
 5.Waterproof membrane: PIF membrane
 4.Inner Stem: Black GP.PA66
 3.Contact: Copper with Silver Cladding
 2.Holder: Black GP.PA66
 1.Terminal: Copper (H65 t=0.3) with Silver Cladding

Packaging

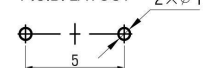
Bulk Package
 Inner Package: Plastic bag
 Outer Package: Carton



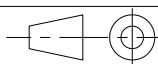
CIRCUIT DIAGRAM



P.C.B. LAYOUT



WENZHOU KHAN ELECTRONIC

| | | | | |
|-----------|------|--------------------------------------------------------------------------------------------------------------------------|------------|--------------|
| VERSION | | PROJECTION | DESIGN | SHUQING ZHU |
| KH14FE22E | | | DRAWN | ZHONGJU PENG |
| SCALE | SIZE |  Dimensions are shown:mm(inches) | APPROVAL | JUNHUI XU |
| 1:1 | A4 | | 2020.03.17 | |