

# MICRO SWITCH

P/N:KW13-00

## SPECIFICATIONS

Function: Momentary action  
 Contact Arrangement: SPDT, Normally Open  
 Termination: THD version

### Mechanical

Actuation Force: 200grams  
 Electrical Life: 10K Operations

### Electrical

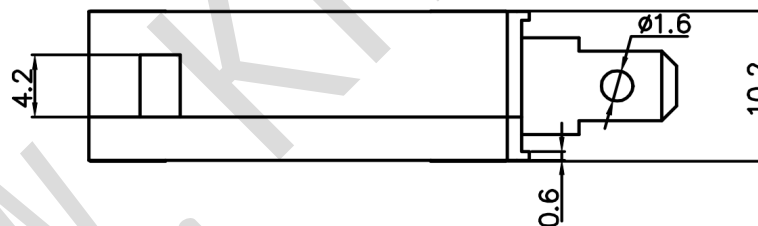
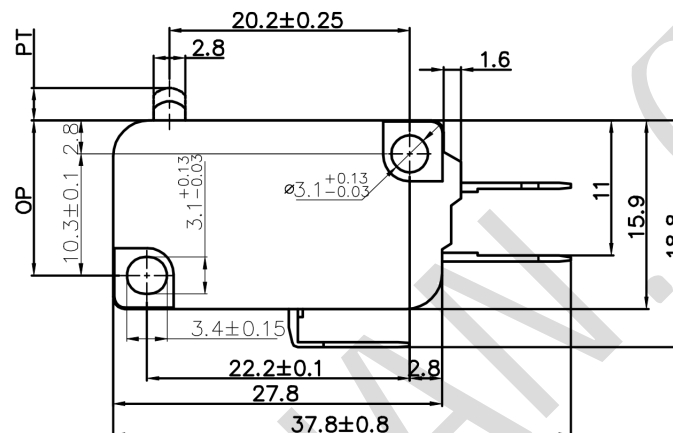
Contact Rating: 16A @ 250V AC  
 Dielectric Strength: AC1000V 50Hz/60Hz / 1Minute  
 Contact Resistance: 30m Max.  
 Insulation Resistance: 100M Min.

### Environmental

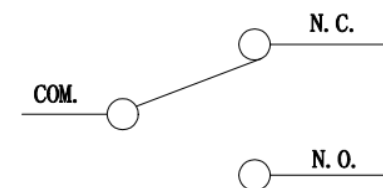
Operating Temperature: -25~+105°C  
 Relative Humidity: (40°C) ≤85%

### Packaging

Bulk Package: Plastic bag  
 Inner Package: Carton  
 Outer Package:



## Circuit Diagram



# KANGHONG ELECTRONIC

VERSION		PROJECTION	DESIGN	YUDA AO
KH14FE22E			DRAWN	ZHIJIE LU
SCALE	SIZE	 Dimensions are shown:mm(inches)	APPROVAL	JUNHUI XU
4:1	A4		2016.04.30	