



SPECIFICATION FOR APPROVAL

Date: _____

Customer: _____	Customer Code: _____
Customer P/N: _____	Model NO.: <u>FPD-270A01D024Y1B1A</u>
Product Description: _____	

<input checked="" type="checkbox"/> New Product	<input type="checkbox"/> Description Change Approve	<input type="checkbox"/> Material Change Approve			
Designed	Wei Lin	Checked	ZhongJu Peng	Approved	Johan Xu

Customer approval

I

Purchase Dept.	QC Dept.	Engineering Dept.	Approve

II

Conclusion	<input type="checkbox"/> Qualified	<input type="checkbox"/> Samples Test Again	<input type="checkbox"/> Unqualified
------------	------------------------------------	---	--------------------------------------

WENZHOU KHAN ELECTRONIC CO.,LTD.

Add: NO.92 Huifeng Road,Songhu Ind.Zone,Yueqing
325600,Zhejiang,China

E-mail: info@khan.cn ; export@khan.cn
Tel: +86-577-62560700
Fax: +86-577-62568700
Skype: khancn3





SPECIFICATION

Product name

A02Solenoid valve

Edition

A

Model

FPD-270A01D024Y1B1A

Page

1/4

Basic parameter

Model	FPD-0A02D024Y1B2C
Action way/Type	Pilot/NC
Working pressure	0.02Mpa-0.8Mpa
Input connection way	4 external threads
Output connection way	4 external threads
Applicable medium	water
Valve body material	Plastic valve body
Medium temperature	0-80°C
Environment temperature	0-50°C
Electrical rating	AC220V,0.02A;DC6V,0.6A;DC9V,0.4A;DC12V,0.3A;DC24V,0.15A;
Variable voltage of supply voltage	-10%~+10%
Insulation resistance	$\geq 100M$
Withstand voltage	1500V/min
Non-return function	Yes
Filtering function	with filter screen
Power supply connection way	6.3 Insert piece
Life Expectancy	$\geq 100K$ cycles
Guarantee Period	12 months



SPECIFICATION

Product name

A02Solenoid valve

Edition

A

Model

FPD-270A01D024Y1B1A

Page

2/4

Technical requirements

Item

Technical Requirements

2.1

Appearance

Metal should be smooth and clean, coating color should be bright, and should not have obvious blistering; plastic parts without cracks, shrinkage; There should be water flow direction sign on valve body.

2.2

Coil

Resistance value detected by multimeter (20°C value)

Coil	Resistance	Color
DC12V	40 ±10%	Black
DC9V	20 ±10%	Green
DC6V	9 ±10%	Blue
DC24V	150 ±10%	White
AC220V	4500 ±10%	Grey

2.3

Startup performance

The water pressure is from 0.02 MPA to 0.8 MPA, and should be started in the rated voltage range.

2.4

Flow characteristic

Pressure	0.02Mpa	0.1Mpa	0.3Mpa	0.8Mpa
Flux (L/min)	3	8	13	25

2.5

Watertigh performance

Hydrostatic Pressure(Mpa)	≤0.02	0.03-0.8
Leakage ratio(ml/min)	< 0.1	0



SPECIFICATION

Product name

A02Solenoid valve

Edition

A

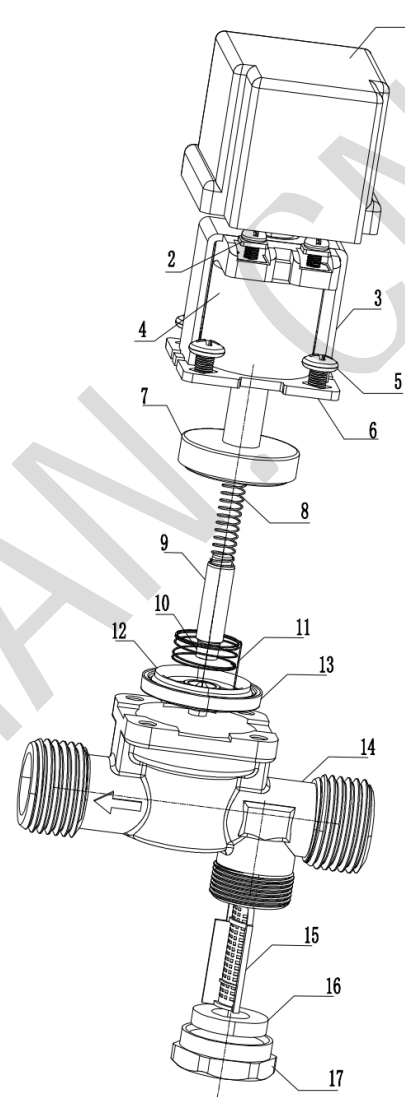
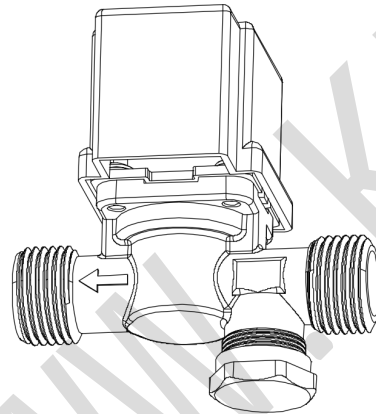
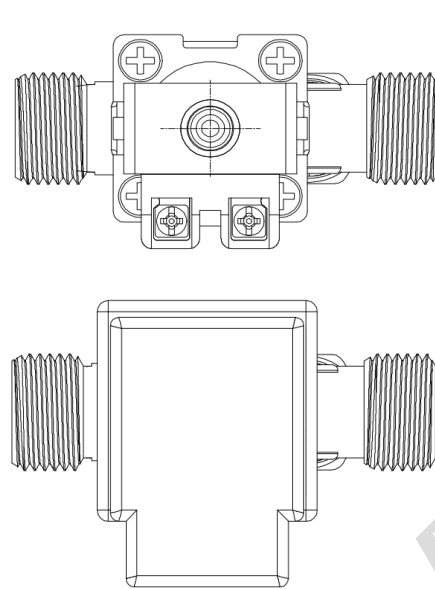
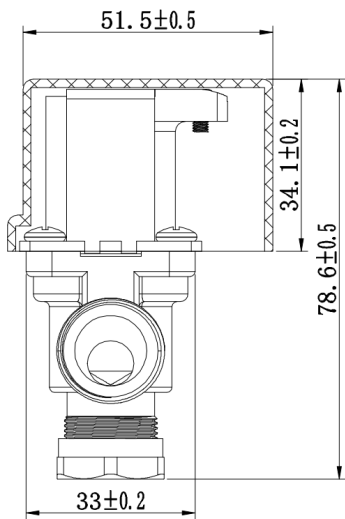
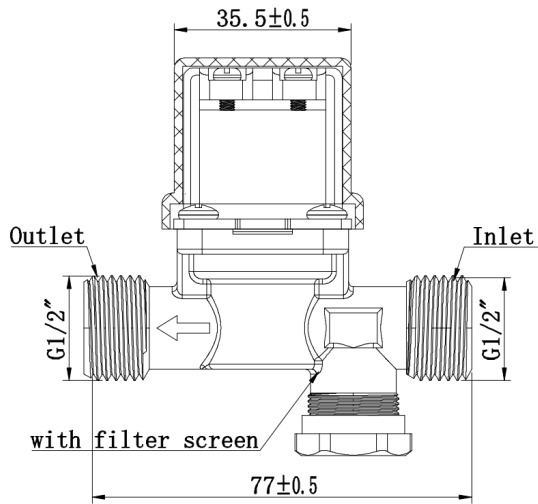
Model

FPD-270A01D024Y1B1A

Page

3/4

	Item	Technical Requirements
2.6	Reliability	0.02-0.8Mpa, make and break for 10s respectively, lasting 1h,the check valve should be unblocked;
2.7	Withstand voltage	The acceptable high-voltage power between electric conduction and outer without electrified metal withstand AC1500V 50HZ for 1min,no flashover or breakdown; withstand AC1800V, 50HZ for 1s,no flashover or breakdown;
2.8	Insulation resistance	Tested by DC500V megohmmete for 1 min, theinsulation rsistance should $\geq 100M$;
2.9	Continuously energized	Energize for 12h, but not connect through the water, the valve should be no deformation, and the coil should not be burned;
2.10	Durability	Hydrostatic pressure is from 0.02 MPA to 0.8 MPA, and in the rated voltage was continuously opened for 5s and closed for 5s. After 20,000 actions, there wasno abnormality .
2.11	Temperature rise	The maximum temperature rise shall be less than 85K at ambient temperature (10 °C ~ 30 °c) and rated voltage



Professional Manufacturer Since 2000

S/N	name	quantity	material
1	coil cover	1	PP
2	paded Screw	2	color zinc-plating iron
3	upper coil bracket	1	δ 1.5cold rolling sheet
4	plastic-capsulated coil	1	PP
5	Set screw	4	SUS304
6	lower coil bracket	1	δ 2cold rolling sheet
7	barcket	1	POM
8	coil spring	1	SUS304
9	moving iron core	1	430F
10	Silicone spacer	1	SR (101G)
11	Torsion Spring	1	SUS304
12	Diaphragmholder	1	POM
13	Diaphragm	1	EPDM
14	A03 valve body	1	cast brass ZHMN58-2-2
15	Filter	1	POM
16	Gasket	1	SR (101G)
17	filter cover	1	cast brass ZHMN58-2-2



WENZHOU KHAN ELECTRONIC

Model		A03Solenoid valve		FPD-0A03D024Y1B1A	
VERSION		PROJECTION		DESIGNED	Wei Lin
KH14FE22E		 Dimnensions are shown:mm(inches)		CHECKED	ZhongJu Peng
SCALE	SIZE			APPROVED	Johan Xu
5:1	A4	2022.05.11			