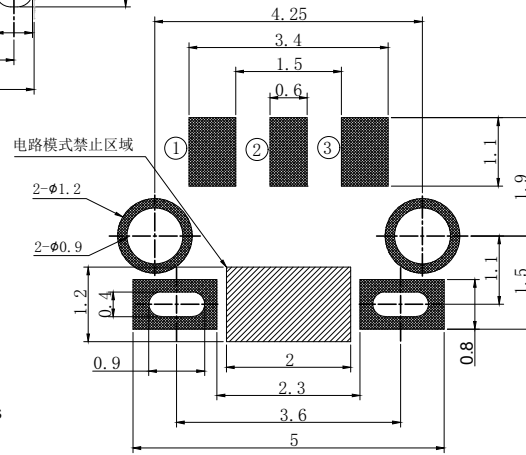
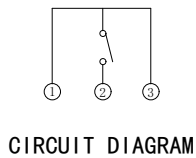
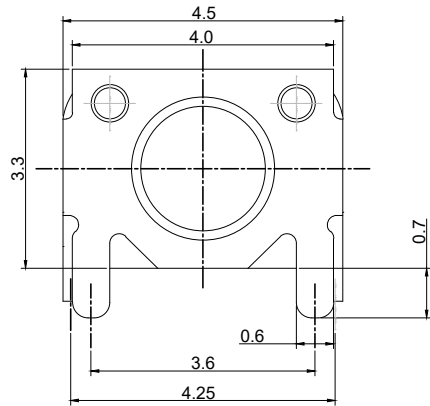
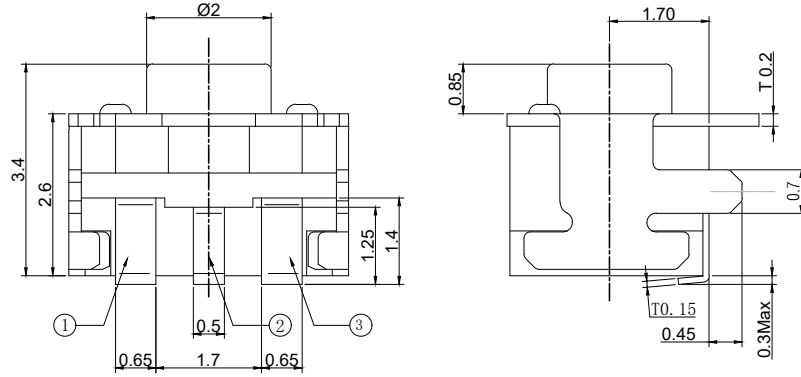


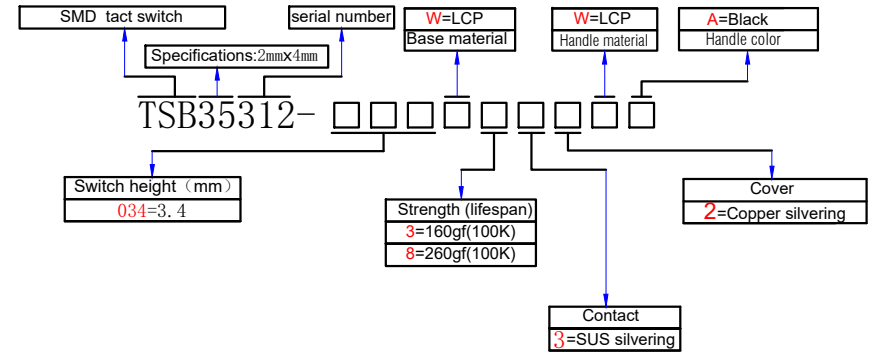


## Switch drawings



**P.C.B. LAYOUT**

## Number Description



## SPECIFICATIONS

Funtion:	Momentary action
Contact Arrangement:	SPST, Normally Open
Termination:	THD version

## Environmental

Operating Temperature:	-25~+70℃
Relative Humidity:	(40℃) ≤95%

## Electrical

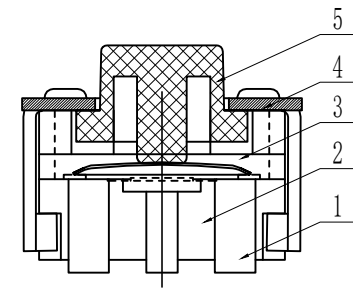
Contact Rating:	50mA 12V DC
Dielectric Strength:	250VAC /1min
Contact Resistance:	100m Ω Max.
Insulation Resistance:	100M Ω Min.
Travel:	0.2 ± 0.1mm
Sealing:	/

## Mechanical

Actuation Force:	Optional
Life Expectancy:	100K

## Materials

5.Stem:	Black LCP
4.Cover:	Phosphor copper plated with silver
3.Spring:	Stainless steel covered with silver
2.Holder:	Black LCP
1.Terminal:	Phosphor copper plated with silver



Note: Unmarked tolerances for linear dimensions shall be in accordance with GB/T1804 level m.