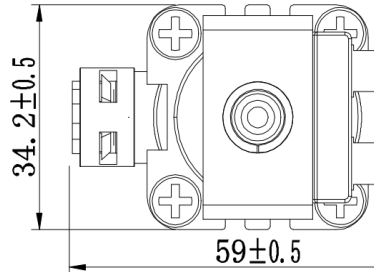


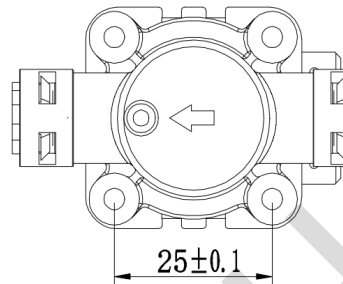
进水口1/4  
Inlet

出水口1/4  
Outlet

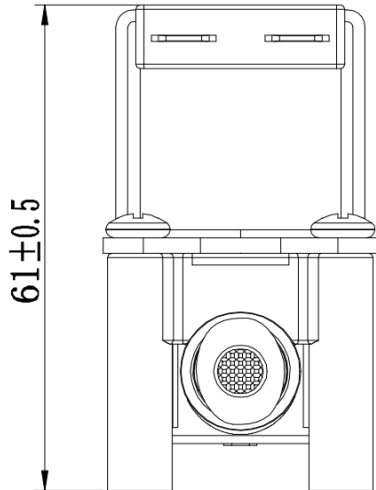


34.2±0.5

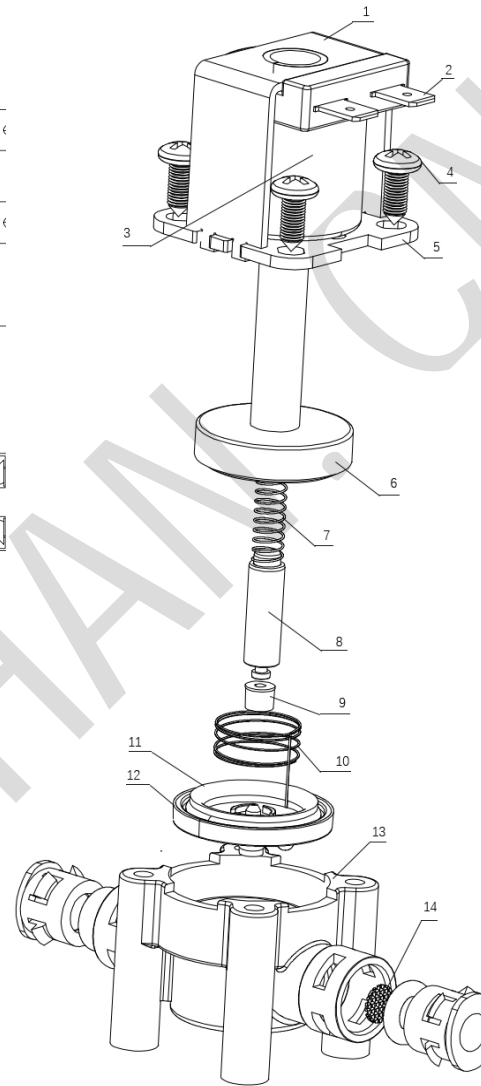
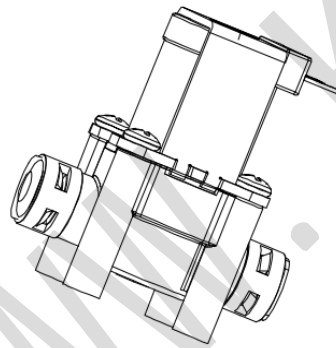
59±0.5



25±0.1



61±0.5



S/N	name	quantity	material
1	upper coil bracket	1	1.5cold rolling sheet
2	copper feet	2	Coppertinplating copper
3	plastic-capsulated coil	1	PP
4	Set screw	1	color zinc-plating iron
5	lower coil bracket	4	2cold rolling sheet
6	barcket	1	POM
7	coil spring	1	SUS304
8	moving iron core	1	430F
9	Silicone spacer	1	SR ( 101G )
10	Torsion Spring	1	SUS304
11	Diaphragmholder	1	POM
12	Diaphragm	1	EPDM
13	Y01 valve body	1	pp
14	fitter	1	SUS304



WENZHOU KHAN ELECTRONIC

Model		Y01 Solenoid valve		FPD-Y01	
VERSION		PROJECTION		DESIGNED	Wei Lin
KH14FE22E		 Dimensions are shown:mm(inches)		CHECKED	ZhongJu Peng
SCALE	SIZE			APPROVED	Johan Xu
5:1	A4	2022.05.11			