

# TACT SWITCH

P/N: TSW06153-H

WATERPROOF



Professional Manufacturer Since 2000

## SPECIFICATIONS

Function: Momentary action  
 Contact Arrangement: SPST, Normally Open  
 Termination: THD version

### Mechanical

Actuation Force: 250 ± 50grams  
 Life Expectancy: 100K Operations

### Electrical

Contact Rating: 50mA @ 12V DC  
 Dielectric Strength: 250V AC for 1minute  
 Contact Resistance: 100mΩ Max.  
 Insulation Resistance: 100MΩ Min.  
 Travel: 0.3 ± 0.1mm

### Environmental

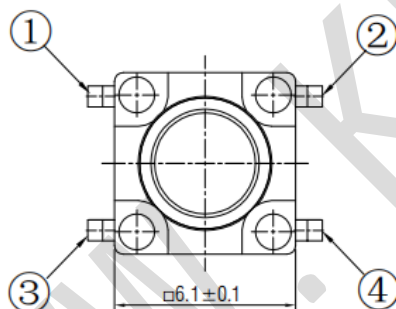
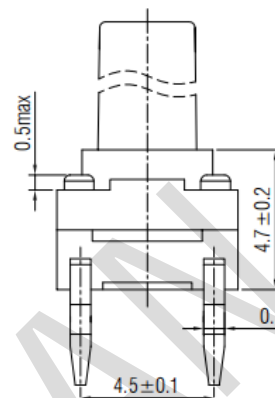
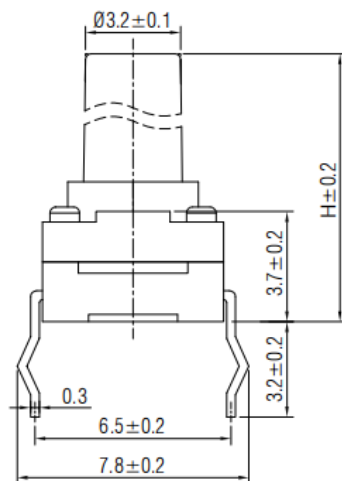
Operating Temperature: -25 ~ +70°C  
 Relative Humidity: (40°C) ≤ 95%

### Materials

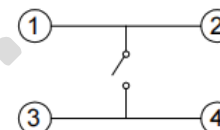
6. Cover: Black GP.PA66  
 5. Stem: Black GP.PA66  
 4. Washer: Rubber  
 3. Contact: Stainless Steel with Silver  
 2. Holder: Cladding Black GP.PA66  
 1. Terminal: Copper with Silver Cladding

### Packaging

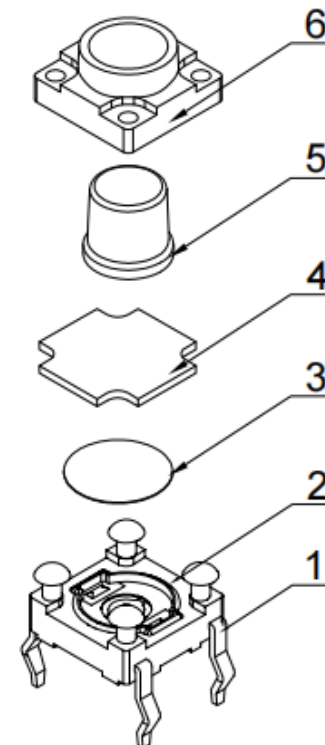
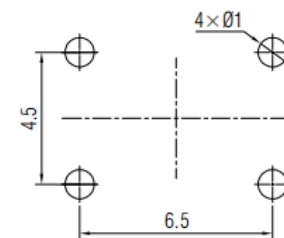
Bulk Package  
 Inner Package: Plastic bag  
 Outer Package: Carton



### CIRCUIT DIAGRAM



### P.C.B. LAYOUT



|   |     |      |     |      |     |      |      |      |      |      |
|---|-----|------|-----|------|-----|------|------|------|------|------|
| H | 5.5 | 6    | 6.4 | 6.5  | 6.6 | 7    | 7.3  | 7.5  | 8    | 8.5  |
| H | 8.8 | 9    | 9.5 | 9.7  | 9.9 | 10   | 10.3 | 10.5 | 11   | 11.5 |
| H | 12  | 12.5 | 13  | 13.5 | 14  | 14.5 | 15   | 15.5 | 15.6 | 16   |



# WENZHOU KHAN ELECTRONIC

VERSION

KH14FE22E

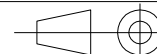
SCALE

4:1

SIZE

A4

PROJECTION



Dimensions are shown: mm (inches)

2022.02.21

DESIGN

Shuqing Zhu

DRAWN

Wei Lin

APPROVAL

Johan Xu