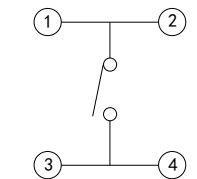
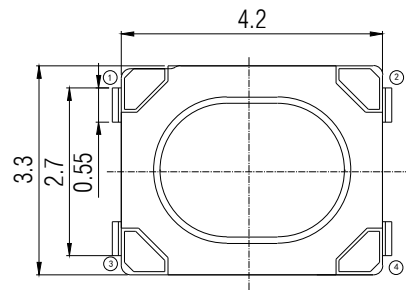
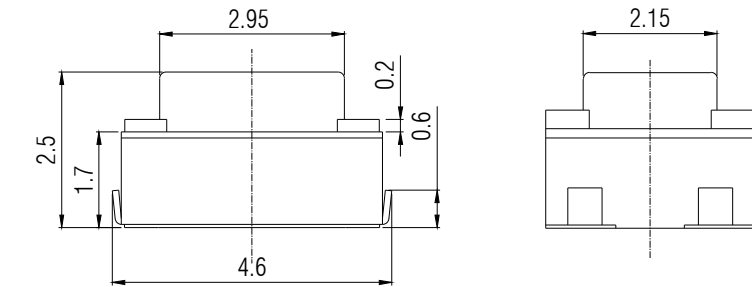


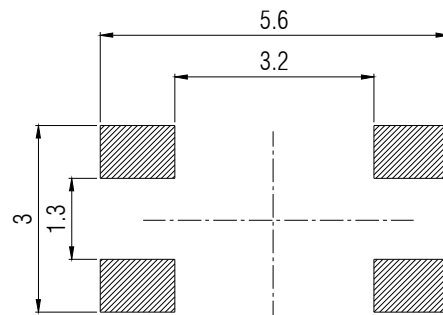


Switch drawings

Number Description

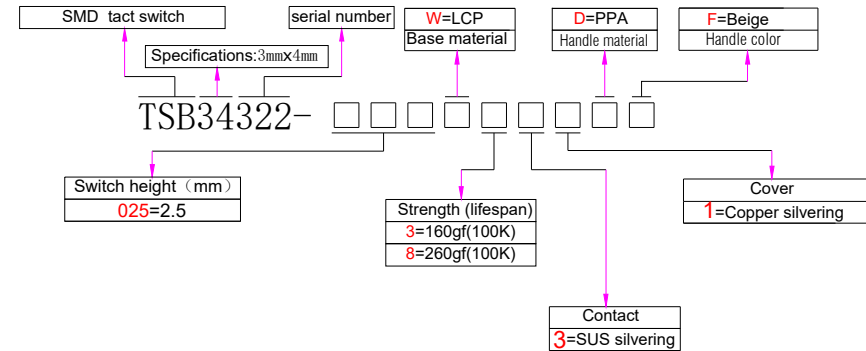


CIRCUIT DIAGRAM



P.C.B. LAYOUT

Note: Unmarked tolerances for linear dimensions shall be in accordance with GB/T1804 level m.



SPECIFICATIONS

Funtion:	Momentary action
Contact Arrangement:	SPST, Normally Open
Termination:	THD version

Environmental

Operating Temperature:	-25~+70℃
Relative Humidity:	(40℃) ≤95%

Electrical

Contact Rating:	50mA 12V DC
Dielectric Strength:	250VAC /1min
Contact Resistance:	100mΩMax.
Insulation Resistance:	100MΩMin.
Travel:	0.2±0.1mm
Sealing:	/

Mechanical

Actuation Force:	Optional
Life Expectancy:	100K

Materials

5.Stem:	Beige PPA
4.Cover:	Stainless steel
3.Spring:	Stainless steel covered with silver
2.Holder:	White LCP
1.Terminal:	Phosphor copper plated with silver

