



MICRO SWITCH
P/N:KW10-00-G-QP



SPECIFICATIONS

Function: Momentary action
Contact Arrangement: SPDT, Normally Open
Termination: THD version

Mechanical

Actuation Force: 120±30grams
Mechanical Life: 100,000 Operations
Electrical Life: 100,000 Operations

Electrical

Contact Rating: 1A @ 125V AC
Dielectric Strength: 500V AC for 1minute
Contact Resistance: 500mΩ Max.
Insulation Resistance: 100MΩ Min.
Travel: 0.3±0.1

Environmental

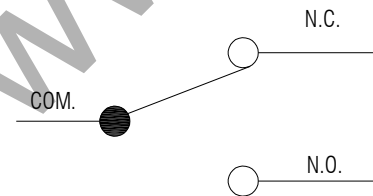
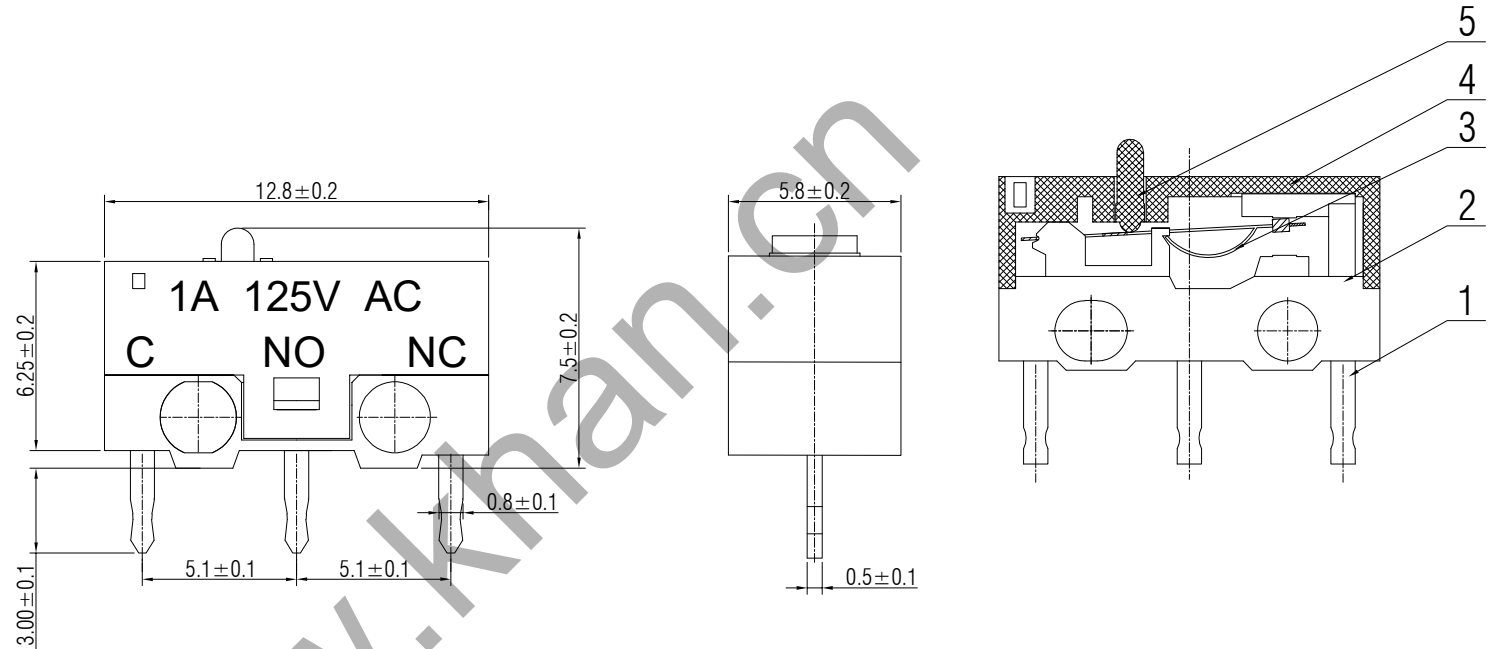
Operating Temperature: -25 ~ +85 °C
Relative Humidity: (40 °C) ≤ 85%

Materials

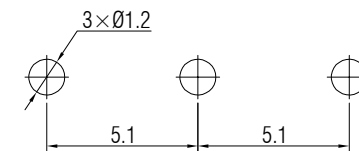
5.Cover: POM
4.Stem: Black GP.PA66
3.Contact: Ancient river copper
2.Holder: White GP.PPA
1.Terminal: Copper with Silver Cladding

Packaging

Bulk Package
Inner Package: Plastic bag
Outer Package: Carton



CIRCUIT DIAGRAM



P.C.B. LAYOUT



WENZHOU KHAN ELECTRONIC

VERSION		PROJECTION	DESIGN	Shuqing Zhu
KH14FE22E			DRAWN	Wei Lin
SCALE	SIZE	 Dimensions are shown:mm(inches)	APPROVAL	Johan Xu
4:1	A4		2022.03.09	