



TACT SWITCH

P/N:TSL06122-0010

ILLUMINATED



SPECIFICATIONS

Function: Monetary action
 Contact Arrangement: SPST, Normally Open
 Termination: THD version

Mechanical

Actuation Force: 250±50grams
 Life Expectancy: 100,000 Operations

Electrical

Contact Rating: 50mA @ 12V DC
 Dielectric Strength: 250VAC for 1minute
 Contact Resistance: 100mΩ Max.
 Insulation Resistance: 100MΩ Min.
 Travel: 0.25±0.1mm

Environmental

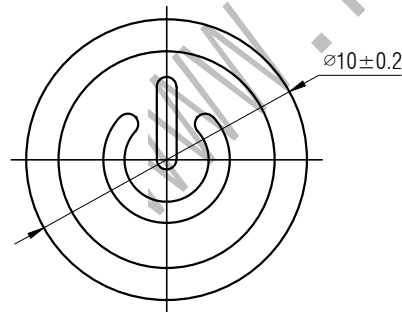
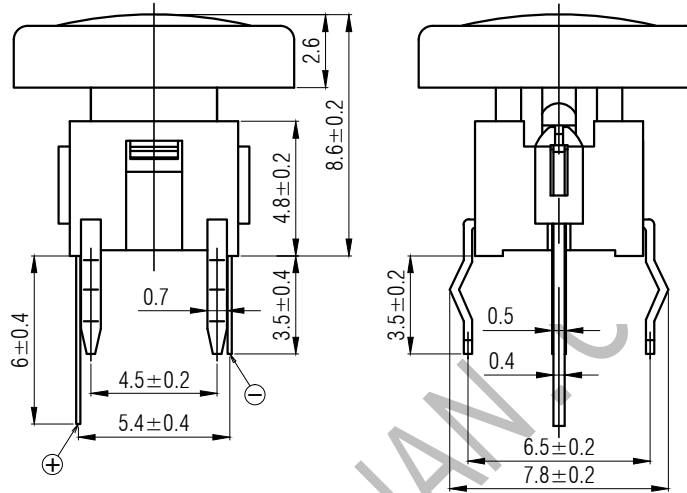
Operating Temperature: -25~+70℃
 Relative Humidity: (40℃)≤95%

Materials

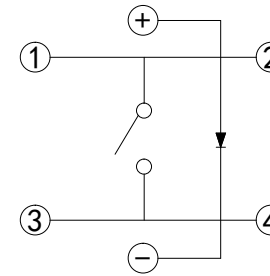
6.Cap: ABS UV Cladding
 5.LED: White,Orange,Blue,Yellow,Green,Red
 4.Stem: GP.PA66
 3.Contact: Stainless steel with Silver cladding
 2.Holder: Black GP.PA66
 1.Terminal: Copper with Silver Cladding

Packaging

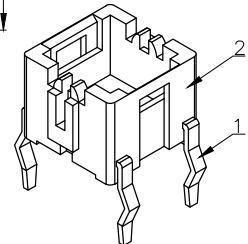
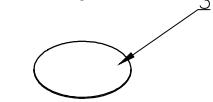
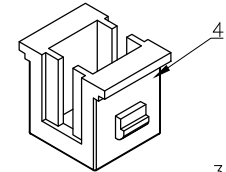
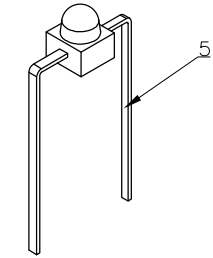
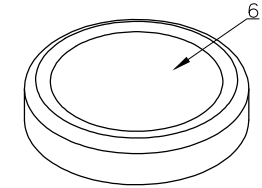
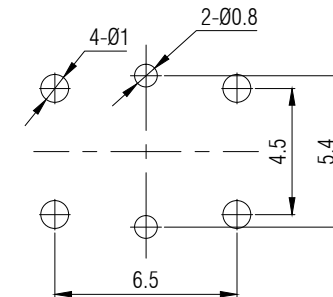
Bulk Package
 Inner Package: Plastic bag
 Outer Package: Carton



CIRCUIT DIAGRAM



P.C.B. LAYOUT



KANGHONG ELECTRONIC

VERSION

KH14FE22E

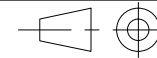
SCALE

4:1

SIZE

A4

PROJECTION



Dimensions are shown:mm(inches)

2016.02.25

DESIGN

敖余达

DRAWN

卢志杰

APPROVAL

徐君辉