



TACT SWITCH

P/N: TSW12110-H

WATERPROOF



SPECIFICATIONS

Function: Momentary action
 Contact Arrangement: SPST, Normally Open
 Termination: THD version

Mechanical
 Actuation Force: 280 ± 50grams
 Life Expectancy: 100K Operations

Electrical
 Contact Rating: 50mA @ 12V DC
 Dielectric Strength: 250V AC for 1minute
 Contact Resistance: 50mΩ Max.
 Insulation Resistance: 100MΩ Min.
 Travel: 0.25 ± 0.1mm

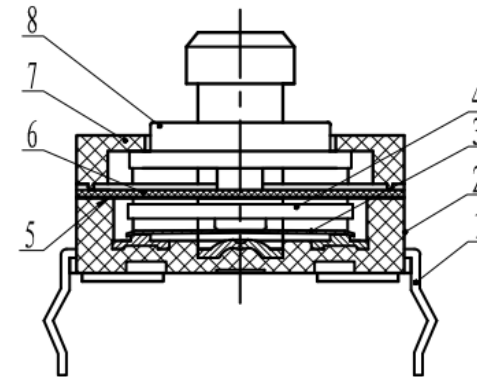
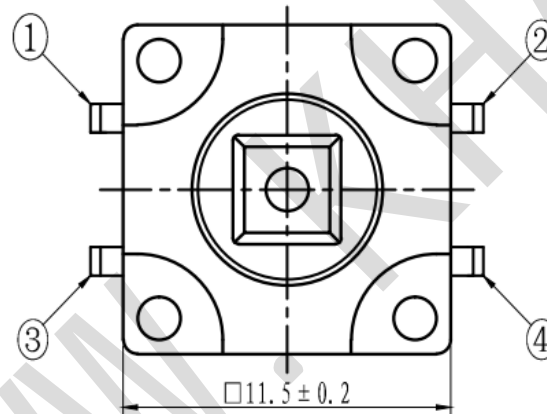
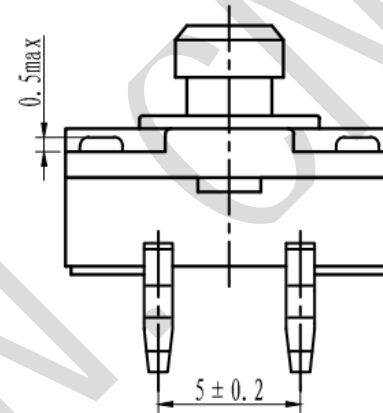
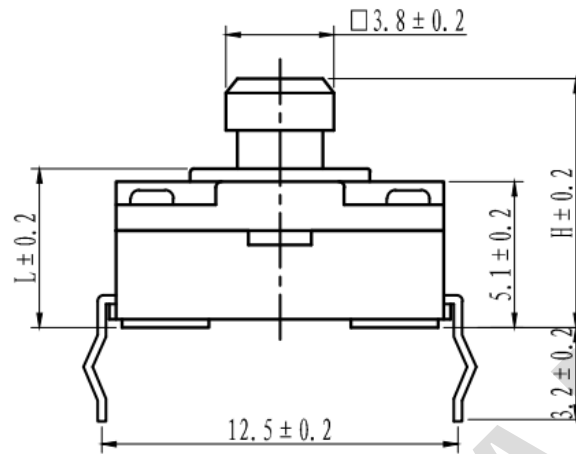
Environmental
 Operating Temperature: -25 ~ +70°C
 Relative Humidity: (40°C) ≤ 95%

Materials

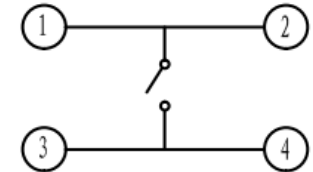
- 8.Cover: Black GP.PA66
- 7.Stem: Black GP.PA66
- 6.Washer: Rubber
- 5.Membrane: PIF membrane
- 4.Inner stem: Black GP.PA66
- 3.Contact: Copper with Silver cladding
- 2.Holder: Black GP.PA66
- 1.Terminal: Copper(H62Y) with Silver Cladding

Packaging

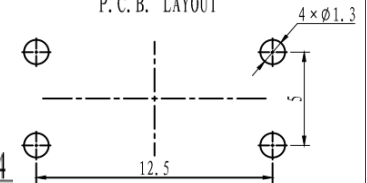
Bulk Package: Plastic bag
 Inner Package: Carton
 Outer Package: Carton



CIRCUIT DIAGRAM



P.C.B. LAYOUT



H	8.5	8.8	8.9
L	5.7	6	6.1



VERSION		PROJECTION	DESIGN	YUDA AO
KH14FE22E			DRAWN	ZHIJIE LU
SCALE	SIZE	 Dimensions are shown:mm(inches)	APPROVAL	JUNHUI XU
4:1	A4		2016.01.22	