

# MICRO SWITCH

P/N:KW10-01



## SPECIFICATIONS

Function: Momentary action  
 Contact Arrangement: SPDT, Normally Open  
 Termination: THD version

### Mechanical

Actuation Force: 50 ~ 80grams  
 Electrical Life: 50K Operations

### Electrical

Contact Rating: 50mA @ 12V AC  
 Dielectric Strength: 250V AC for 1minute  
 Contact Resistance: 50mΩ Max.  
 Insulation Resistance: 100MΩ Min.

### Environmental

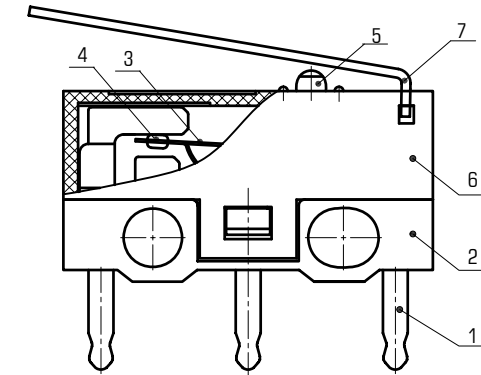
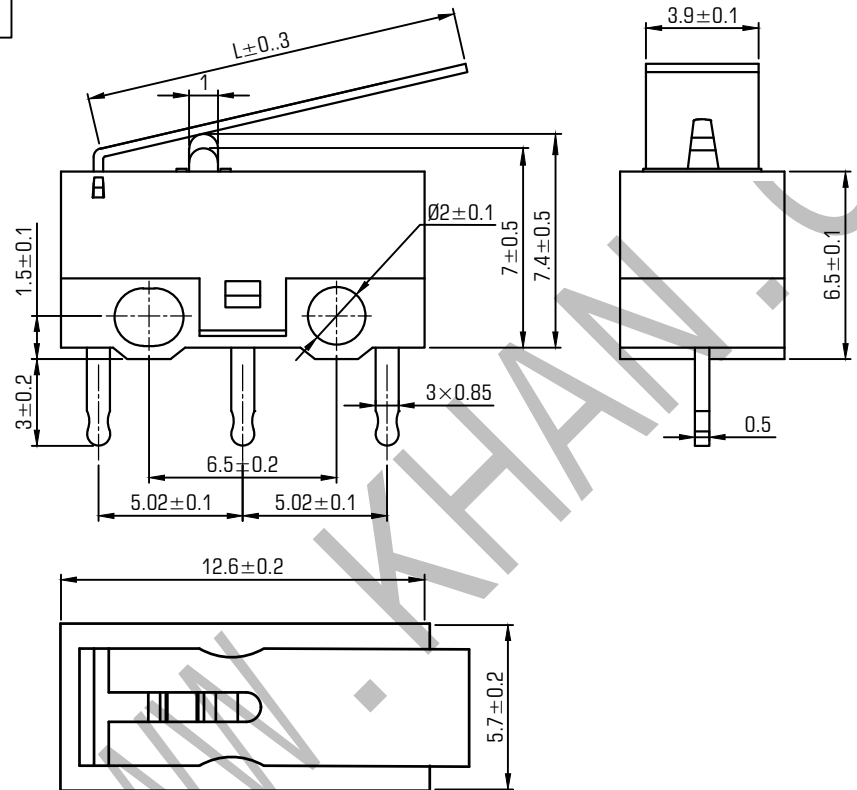
Operating Temperature: -25 ~ +70°C  
 Relative Humidity: (40°C) ≤ 85%

### Materials

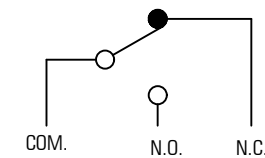
7.Springboard: Stainless Steel  
 6.Cover: Black GP.PC  
 5.Stem: POM  
 4.Contact: Silver Copper  
 3.Movable Contact: Phosphor Copper  
 2.Holder: White GP.PPA  
 1.Terminal: Silver plate Brass

### Packaging

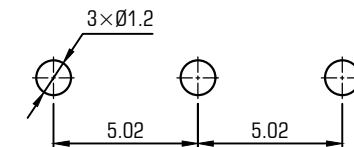
Bulk Package  
 Inner Package: Plastic bag  
 Outer Package: Carton



## CIRCUIT DIAGRAM



## P.C.B. LAYOUT



L	11	13	15
---	----	----	----



# KANGHONG ELECTRONIC

VERSION		PROJECTION	DESIGN	YUDA AO
KH14FE22E			DRAWN	ZHIJIE LU
SCALE	SIZE	 Dimensions are shown:mm(inches)	APPROVAL	JUNHUI XU
4:1	A4		2016.04.30	