

TACT SWITCH
P/N:KAN3-25



SPECIFICATIONS

Function: NON-LOCK
Contact Arrangement: DPDT

Mechanical

Life Expectancy: 10,000 Operations

Electrical

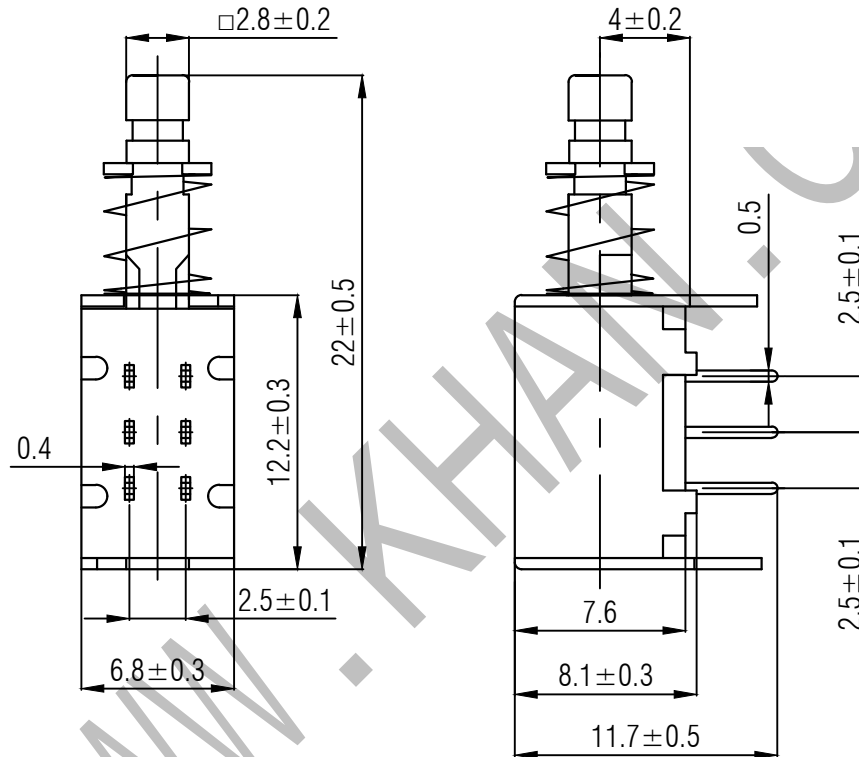
Contact Rating: 0.3A @ 30V DC
Dielectric Strength: 500V AC for 1minute
Contact Resistance: 100mΩ Max.
Insulation Resistance: 500MΩ Min.

Environmental

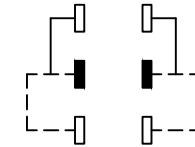
Operating Temperature: -25~+70°C
Relative Humidity: (40°C) ≤95%

Packaging

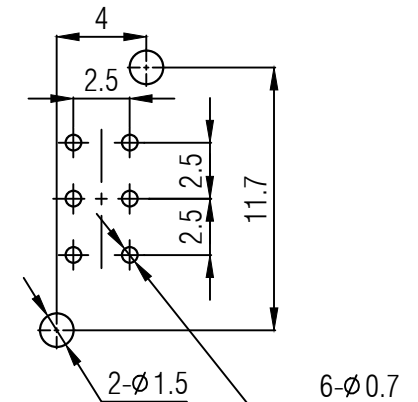
Bulk Package:
Inner Package: Plastic bag
Outer Package: Carton



CIRCUIT DIAGRAM



P.C.B. LAYOUT



KANGHONG ELECTRONIC

VERSION		PROJECTION	DESIGN	
KH14FE22E				
SCALE	SIZE	 Dimensions are shown:mm(inches)	DRAWN	
1:1	A4		2014.02.20	APPROVAL