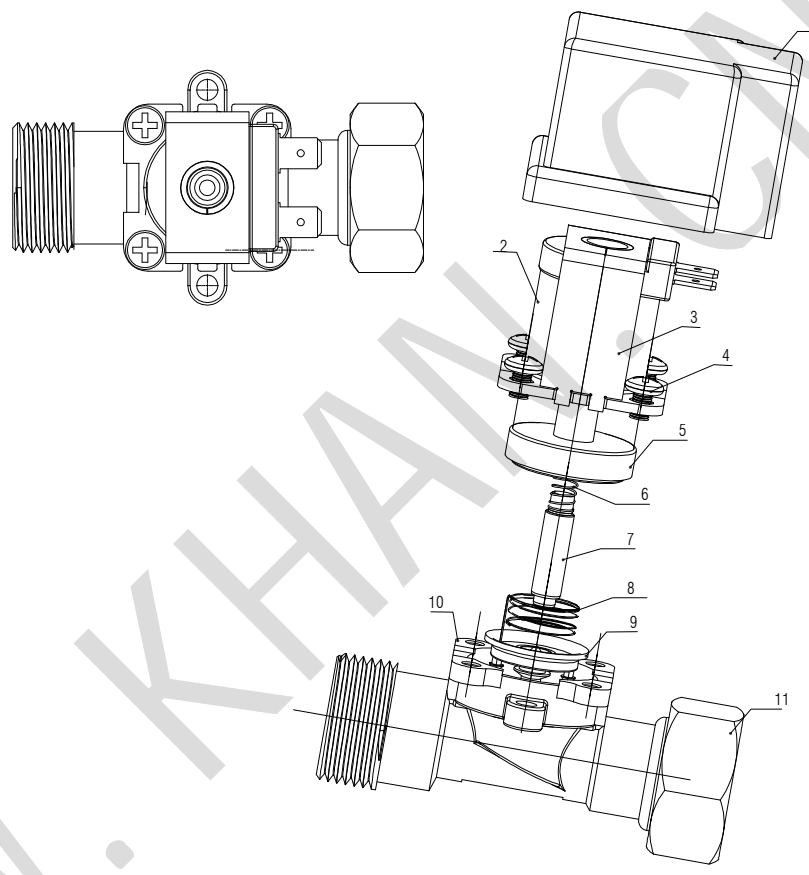
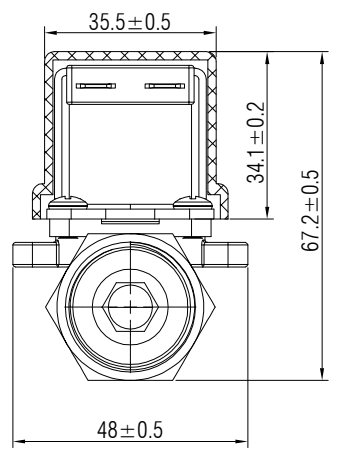
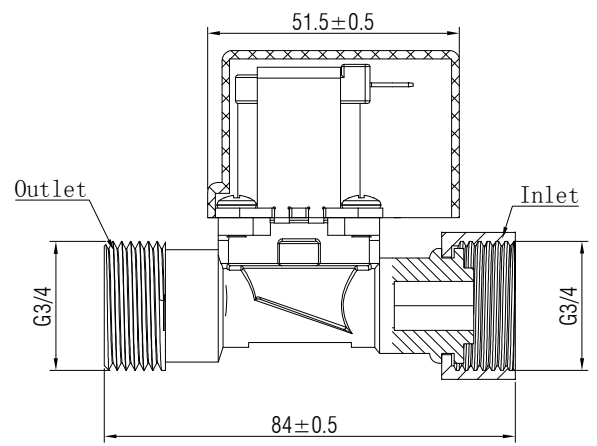




S/N	name	quantity	material
1	coil cover	1	pp
2	plastic-capsulated coil	2	PP
3	upper coil bracket	1	Ø1.5cold rolling sheet
4	Set screw	1	color zinc-plating iron
5	barcket	4	POM
6	coil spring	1	SUS304
7	moving iron core	1	430F
8	Torsion Spring	1	SUS304
9	Diaphragm	1	EPDM
10	A11 valvebody	1	pp
11	inlet copper joint	1	cast brass ZHMN58-2-2



**WENZHOU KHAN ELECTRONIC**

Model		A12Solenoid valve		FPD-0A12D024Y1B2A	
VERSION		PROJECTION		DESIGNED	Wei Lin
KH14FE22E		 Dimensions are shown:mm(inches)		CHECKED	ZhongJu Peng
SCALE	SIZE			APPROVED	Johan Xu
5:1	A4	2022.05.11			