



PUSH LATCH SWITCH

P/N:PR-11



SPECIFICATIONS

Mechanical

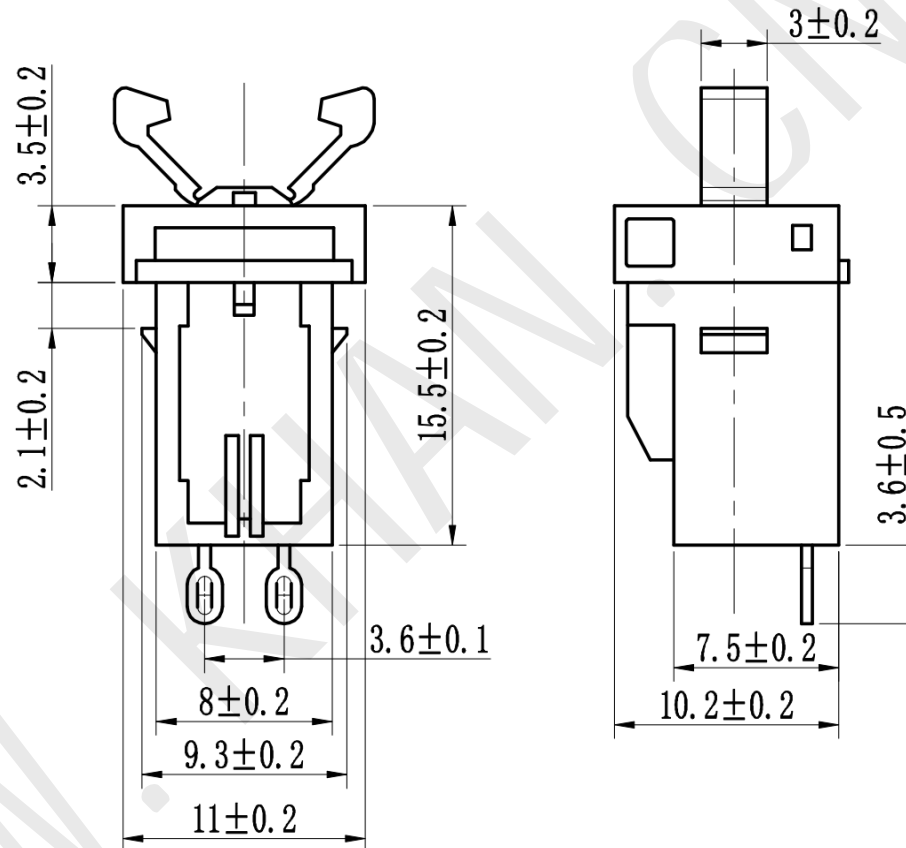
Actuation Force: 4~6N
Life Expectancy: 10000 Operations

Environmental

Operating Temperature: -25~+70°C
Relative Humidity: (40°C) ≤ 95%
Resistance : ≤ 100m

Packaging

Bulk Package
Inner Package: Plastic bag
Outter Package: Carton

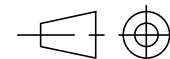


KANGHONG ELECTRONIC

VERSION

KH14FE22E

PROJECTION



Dimensions are shown:mm(inches)

SCALE

4:1

SIZE

A4

2015.12.05

DESIGN

YUDA AO

DRAWN

ZHIJIE LU

APPROVAL

JUNHUI XU