



TACT SWITCH

P/N:TSD36111

Dustproof



SPECIFICATIONS

Function: Momentary action
 Contact Arrangement: SPST, Normally Open
 Termination: THD version

Mechanical

Actuation Force:
 Life Expectancy: 30,000 Operations

Electrical

Contact Rating: 50mA @ 12V DC
 Dielectric Strength: 250V AC for 1minute
 Contact Resistance: 100mΩ Max.
 Insulation Resistance: 100MΩ Min.
 Travel: 0.20±0.1mm

Environmental

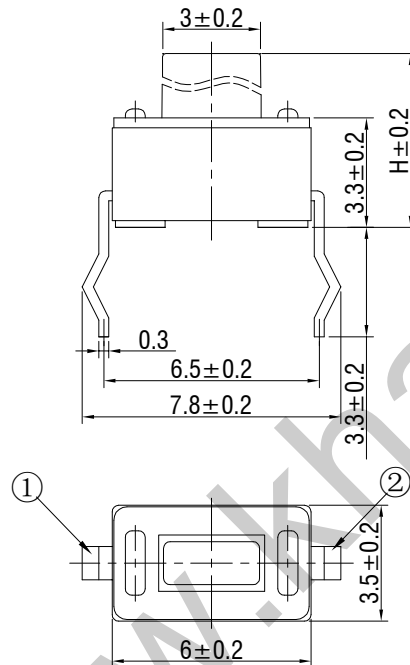
Operating Temperature: -25~+70℃
 Relative Humidity: (40℃) ≤95%

Materials

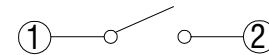
6.Stem: White GP.PAA
 5.Cover: Stainless steel
 4.membrane: PIF membrane
 3.Contact: Stainless steel with Silver cladding
 2.Holder: White GP.PAA
 1.Terminal: Copper (H62Y t=0.3) with Silver Cladding

Packaging

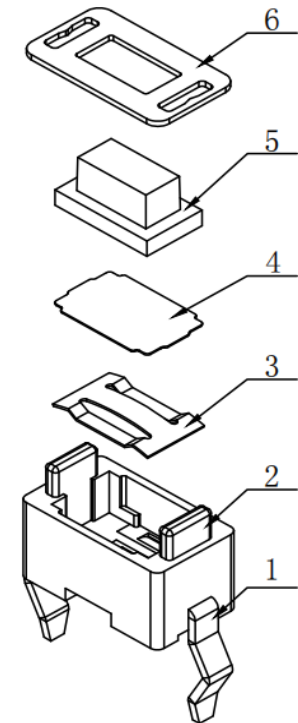
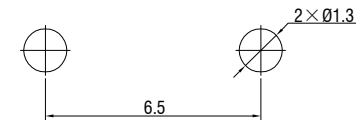
Bulk Package
 Inner Package: Plastic bag
 Outer Package: Carton



CIRCUIT DIAGRAM



P.C.B. LAYOUT



H	4.3	5	5.6	6.8	7
---	-----	---	-----	-----	---



WENZHOU KHAN ELECTRONIC

VERSION		PROJECTION	DESIGN	Shuqing Zhu
KH14FE22E			DRAWN	Wei Lin
SCALE	SIZE	 Dimensions are shown:mm(inches)	APPROVAL	Johan Xu
5:1	A4		2022.05.11	