

TACT SWITCH

P/N: TSW12160-H

WATERPROOF



SPECIFICATIONS

Function: Momentary action
 Contact Arrangement: SPST, Normally Open
 Termination: THD version

Mechanical

Actuation Force: 280 ± 50grams
 Life Expectancy: 100K Operations

Electrical

Contact Rating: 50mA @ 12V DC
 Dielectric Strength: 250V AC for 1minute
 Contact Resistance: 50mΩ Max.
 Insulation Resistance: 100MΩ Min.
 Travel: 0.25 ± 0.1mm

Environmental

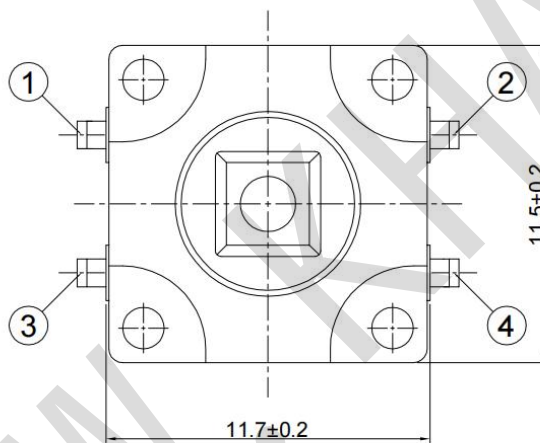
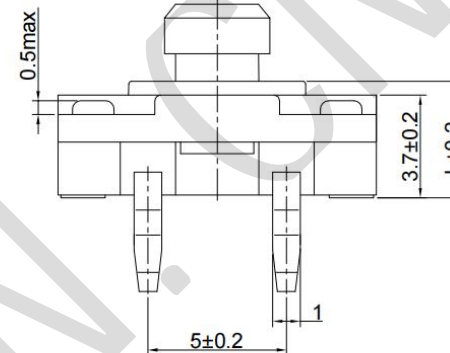
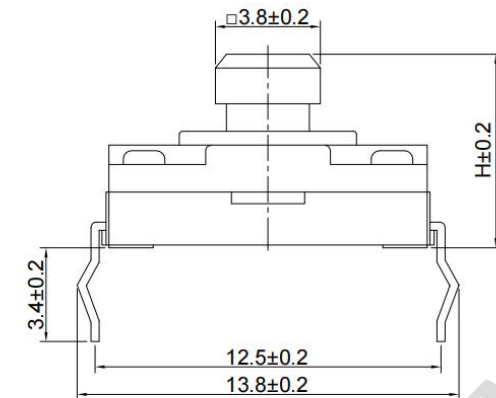
Operating Temperature: -25 ~ +70°C
 Relative Humidity: (40°C) ≤ 95%

Materials

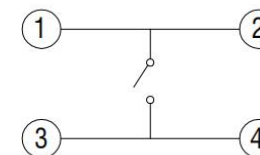
- 6. Cover: Black GP.PA66
- 5. Stem: Black GP.PA66
- 4. Washer: Rubber
- 3. Contact: Copper with Silver cladding
- 2. Holder: Black GP.PA66
- 1. Terminal: Copper(H62Y) with Silver Cladding

Packaging

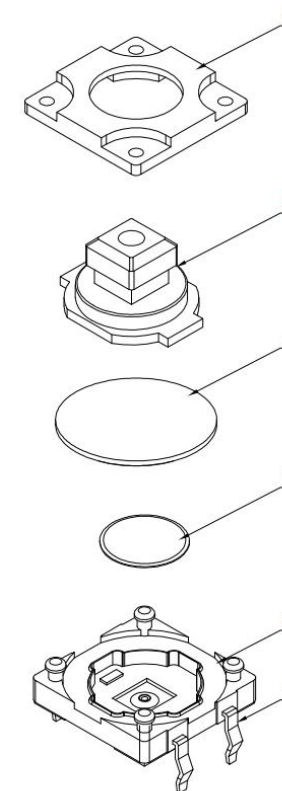
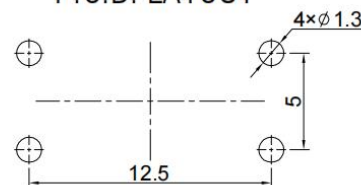
Bulk Package: Plastic bag
 Inner Package: Carton
 Outer Package:



CIRCUIT DIAGRAM



P.C.B. LAYOUT



H	7	7.3	7.4	9
L	4.2	4.5	4.6	6.2



KANGHONG ELECTRONIC

VERSION		PROJECTION	DESIGN	YUDA AO
KH14FE22E			DRAWN	ZHIJIE LU
SCALE	SIZE	Dimensions are shown:mm(inches)	APPROVAL	JUNHUI XU
4:1	A4		2022.07.07	