



TACT SWITCH

P/N: TSW06953-H

WATERPROOF

SPECIFICATIONS

Function: Momentary action
 Contact Arrangement: SPST, Normally Open
 Termination: THD version

Mechanical

Actuation Force: 230±50grams
 Life Expectancy: 100K Operations

Electrical

Contact Rating: 50mA @ 12V DC
 Dielectric Strength: 250V AC for 1minute
 Contact Resistance: 100mΩ Max.
 Insulation Resistance: 100MΩ Min.
 Travel: 0.3±0.1mm

Environmental

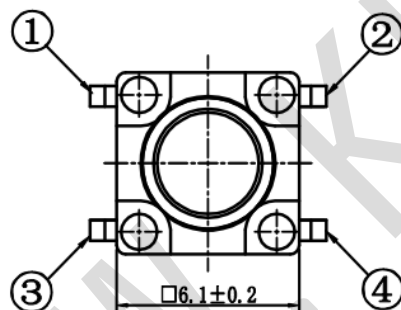
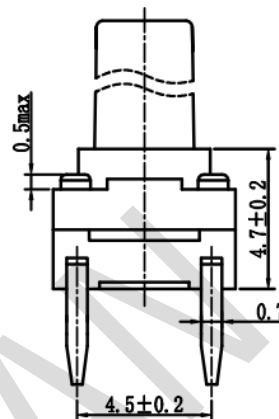
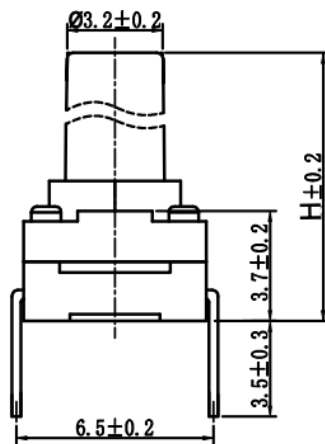
Operating Temperature: -25~+70°C
 Relative Humidity: (40°C) ≤95%

Materials

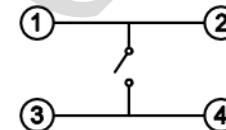
6. Cover: Black GP.PA66
 5. Stem: Black GP.PA66
 4. Washer: Rubber
 3. Contact: Stainless Steel with Silver
 2. Holder: Cladding Black GP.PA66
 1. Terminal: Copper with Silver Cladding

Packaging

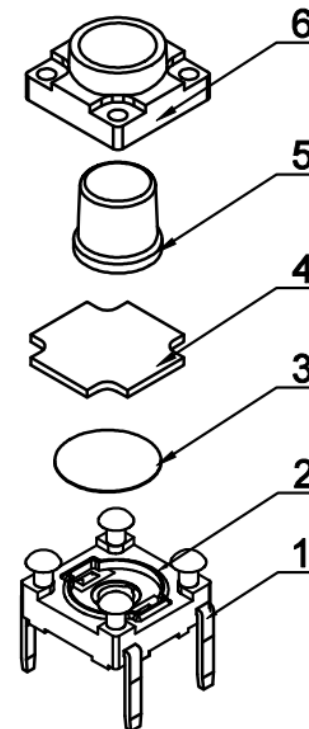
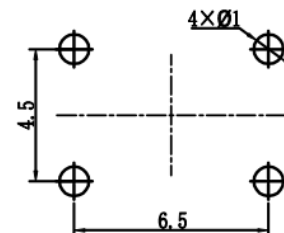
Bulk Package
 Inner Package: Plastic bag
 Outer Package: Carton



CIRCUIT DIAGRAM



P.C.B. LAYOUT



H	5.5	6	6.4	6.5	6.6	7	7.3	7.5	8	8.5
H	8.8	9	9.5	9.7	9.9	10	10.3	10.5	11	11.5
H	12	12.5	13	13.5	14	14.5	15	15.5	15.6	16



WENZHOU KHAN ELECTRONIC

VERSION

KH14FE22E

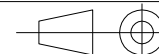
SCALE

4:1

SIZE

A4

PROJECTION



Dimensions are shown:mm(inches)

2022.07.07

DESIGN

Shuqing Zhu

DRAWN

Wei Lin

APPROVAL

Johan Xu