

TACT SWITCH

P/N:TSD05312



SPECIFICATIONS

Function: Momentary action
 Contact Arrangement: SPST, Normally Open
 Termination: SMD version

Mechanical

Actuation Force: 280±50grams
 Life Expectancy: 100K Operations

Electrical

Contact Rating: 50mA @ 12V DC
 Dielectric Strength: 250V AC for 1minute
 Contact Resistance: 100mΩ Max.
 Insulation Resistance: 100MΩ Min.
 Travel: 0.25±0.1mm

Environmental

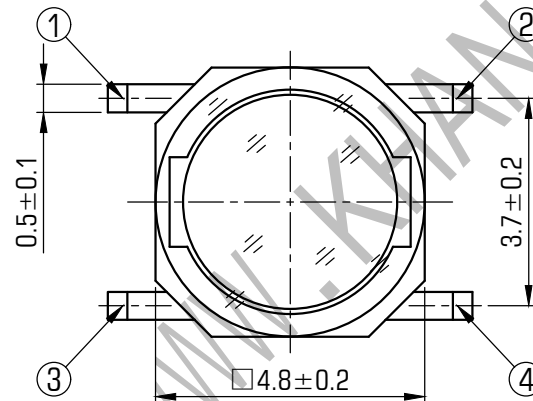
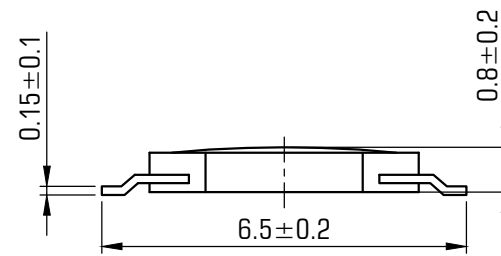
Operating Temperature: -25~+70℃
 Relative Humidity: (40℃)≤95%

Materials

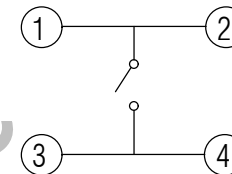
- 4. Waterproof membrane: PIT membrane
- 3. Contact: Stainless Steel with Silver Cladding
- 2. Holder: Black GP.PPA
- 1. Terminal: Copper with Silver Cladding

Packaging

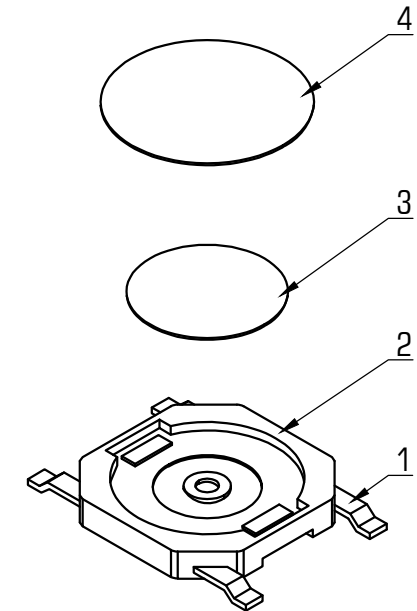
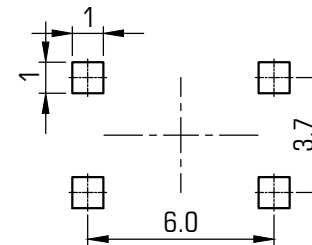
Bulk Package
 Inner Package: Plastic bag
 Outer Package: Carton

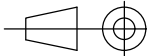


CIRCUIT DIAGRAM



P.C.B. LAYOUT



VERSION		PROJECTION 	DESIGN	YUDA AO
KH14FE22E			DRAWN	YUDA AO
SCALE	SIZE	Dimensions are shown:mm(inches)	APPROVAL	JUNHUI XU
8:1	A4	2018.08.23		