

SWITCH CAP
P/N:SC505



Materials

ABS

Color

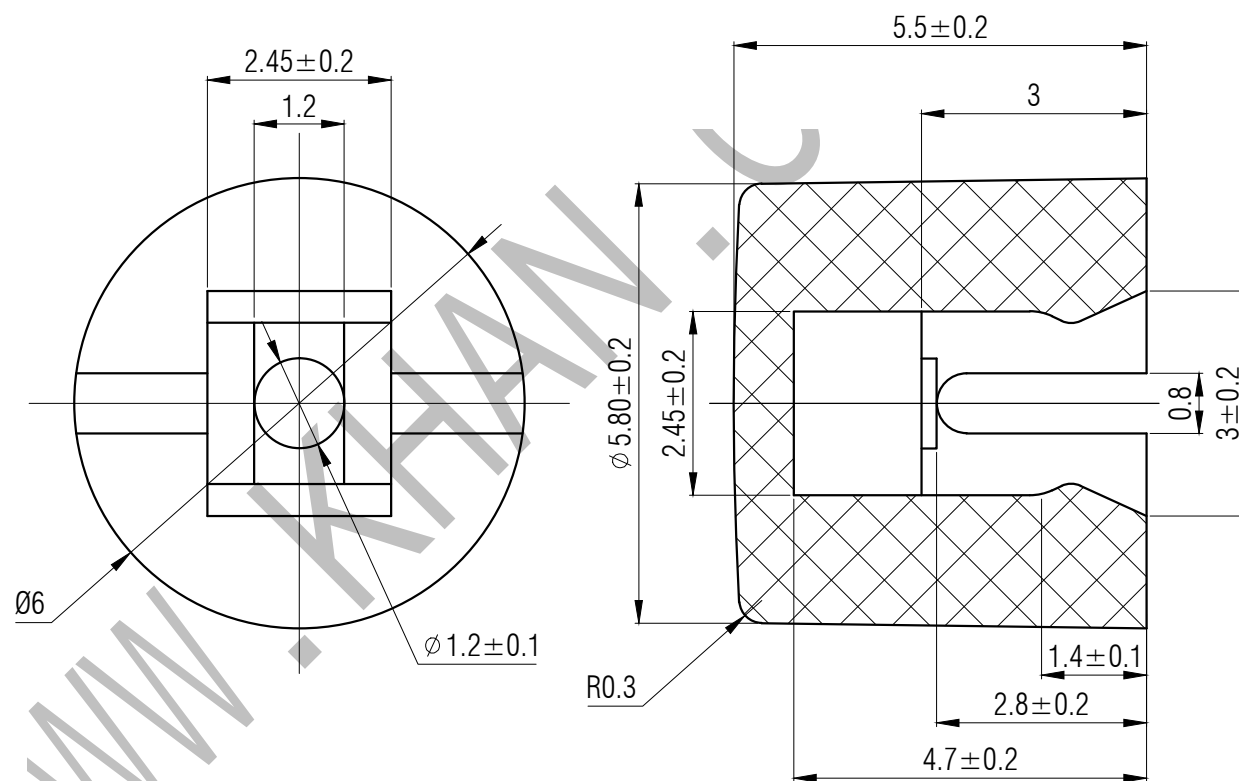
White, Black, Red, Grey,
(OEM AVAILABLE)

Packaging

Bulk Package

Inner Package: Plastic bag

Outer Package: Carton

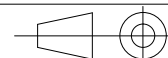


 **KANGHONG ELECTRONIC**

VERSION

KH14FE22E

PROJECTION



Dimensions are shown:mm(inches)

DESIGN

DRAWN

APPROVAL

SCALE

10:1

SIZE

A4

2014.02.20