

SWITCH CAP  
P/N:SC426



Materials ABS

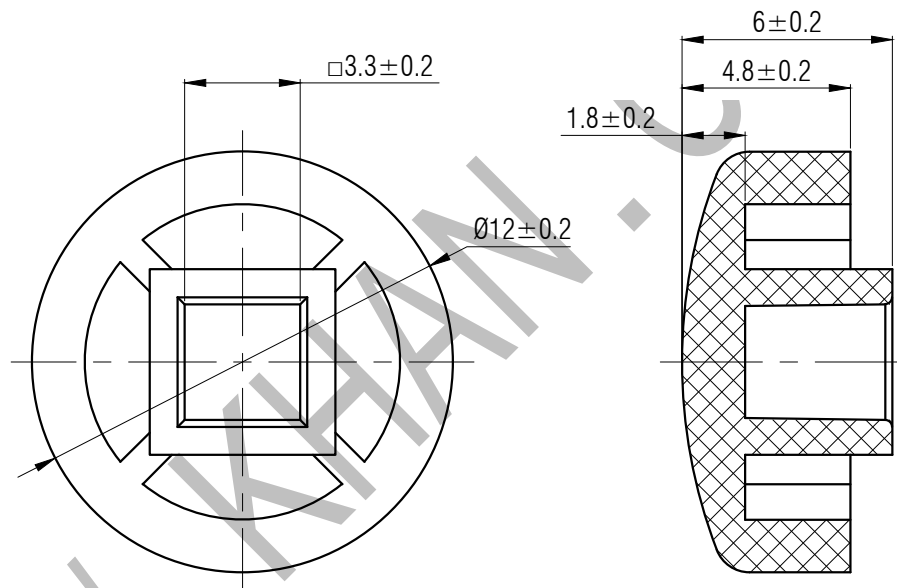
Color Black

Packaging

Bulk Package

Inner Package: Plastic bag

Outer Package: Carton



KANGHONG ELECTRONIC

|           |      |                                     |            |     |
|-----------|------|-------------------------------------|------------|-----|
| VERSION   |      | PROJECTION                          | DESIGN     | 敖余达 |
| KH14FE22E |      |                                     | DRAWN      | 卢志杰 |
| SCALE     | SIZE | <br>Dimensions are shown:mm(inches) | APPROVAL   | 徐君辉 |
| 5:1       | A4   |                                     | 2016.12.21 |     |