

TACT SWITCH

P/N:TSG06311-H

WATERPROOF



SPECIFICATIONS

Function: Momentary action
 Contact Arrangement: SPST, Normally Open
 Termination: SMD version

Mechanical

Actuation Force: 280±50grams
 Life Expectancy: 100,000 Operations

Electrical

Contact Rating: 50mA @ 12V DC
 Dielectric Strength: 250V AC for 1minute
 Contact Resistance: 100mΩ Max.
 Insulation Resistance: 100MΩ Min.
 Travel: 0.35±0.1mm

Environmental

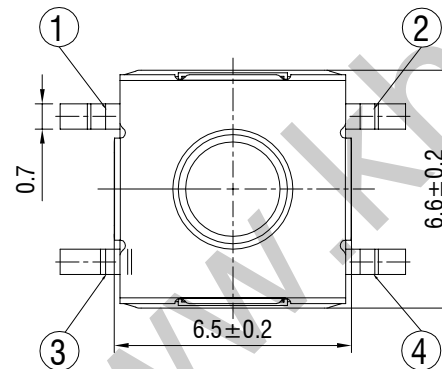
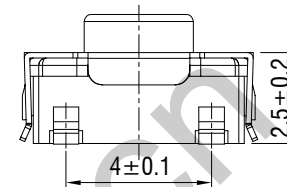
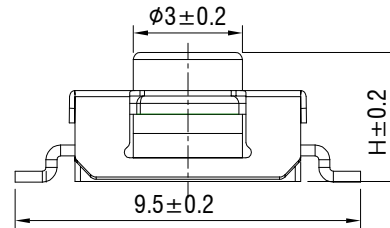
Operating Temperature: -25~+70℃
 Relative Humidity: (40℃) ≤95%

Materials

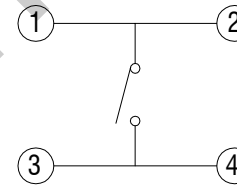
5.Cover: Stainless Steel
 4.Stem: Blue rubber
 3.Contact: Stainless Steel with Silver cladding
 2.Holder: Black GP.PPA
 1.Terminal: Copper (t=0.3) with Silver Cladding

Packaging

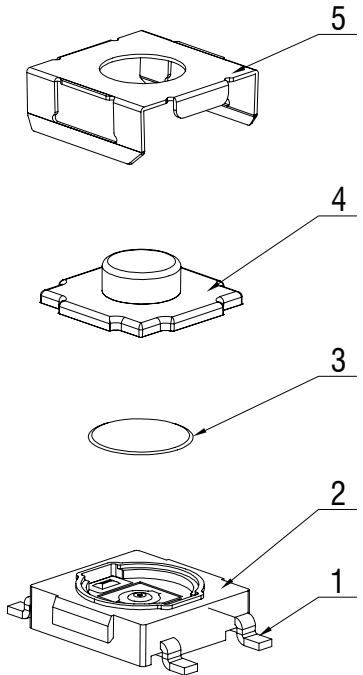
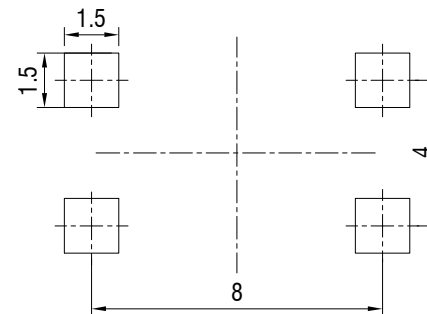
Bulk Package
 Inner Package: Plastic bag
 Outer Package: Carton



CIRCUIT DIAGRAM



P.C.B. LAYOUT



| | | | | |
|---|-----|-----|-----|---|
| H | 3.1 | 3.4 | 4.5 | 5 |
|---|-----|-----|-----|---|



WENZHOU KHAN ELECTRONIC

| | | | | |
|-----------|------|---------------------------------|------------|-------------|
| VERSION | | PROJECTION | DESIGN | Shuqing Zhu |
| KH14FE22E | | | DRAWN | Wei Lin |
| SCALE | SIZE | Dimensions are shown:mm(inches) | APPROVAL | Johan Xu |
| 5:1 | A4 | | 2022.02.11 | |