



TACT SWITCH

P/N:TSL12112

ILLUMINATED



SPECIFICATIONS

Function: Monentary action
 Contact Arrangement: SPST, Normally Open
 Termination: THD version

Mechanical

Actuation Force: 280±50grams
 Life Expectancy: 100,000 Operations

Electrical

Contact Rating: 50mA @ 12V DC
 Dielectric Strength: 250VAC for 1minute
 Contact Resistance: 50mΩ Max.
 Insulation Resistance: 100MΩ Min.
 Travel: 0.3±0.1mm

Environmental

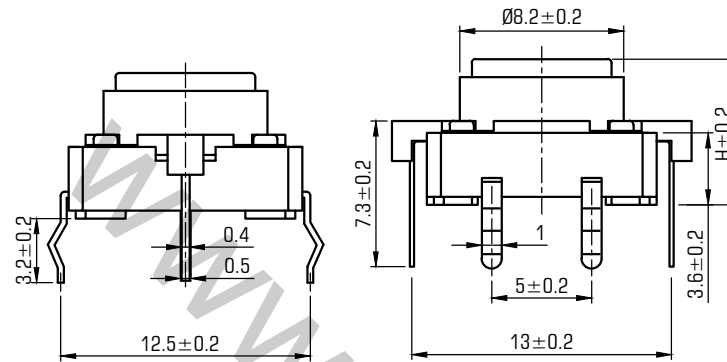
Operating Temperature: -25~+70°C
 Relative Humidity: (40°C) ≤95%

Materials

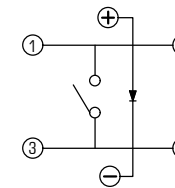
6.Cap: GP.PC
 5.LED: Red / Green/White
 4.Cover: White GP.PC
 3.Contact: Copper with Silver cladding
 2.Holder: Black GP.PA66
 1.Terminal: Copper (H62Y) with Silver Cladding

Packaging

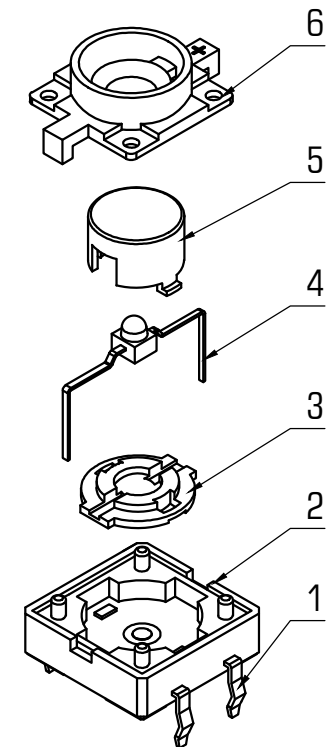
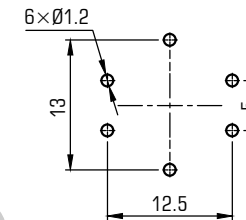
Bulk Package
 Inner Package: Plastic bag
 Outter Package: Carton



CIRCUIT DIAGRAM



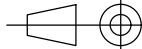
P.C.B. LAYOUT



H	7.3	8
---	-----	---



KHAN ELECTRONIC

VERSION		PROJECTION  Dimensions are shown:mm(inches)	DESIGN	YUDA AO
KH14FE22E			DRAWN	ZHIJIE LU
SCALE	SIZE	2017.10.26	APPROVAL	JUNHUI XU
3:1	A4			