



TACT SWITCH

P/N: TSW06122-H



SPECIFICATIONS

Function: Momentary action
 Contact Arrangement: SPST, Normally Open
 Termination: THD version

Mechanical

Actuation Force: 180±50grams
 Life Expectancy: 100K Operations

Electrical

Contact Rating: 50mA @ 12V DC
 Dielectric Strength: 250V AC for 1minute
 Contact Resistance: 50mΩ Max.
 Insulation Resistance: 100MΩ Min.
 Travel: 0.3±0.1mm

Environmental

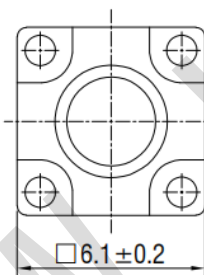
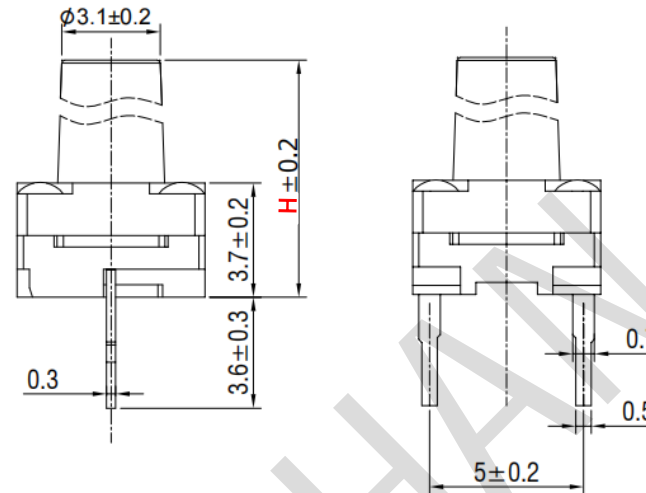
Operating Temperature: -25~+70°C
 Relative Humidity: (40°C) ≤95%

Materials

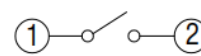
6.cover: Black GP.PA66
 5.stem: Black GP.PA66
 4.rubber pad: rubber
 3.Contact: steel with Silver cladding
 2.Holder: Black GP.PA66
 1.Terminal: Copper (H62Y) with Silver Cladding

Packaging

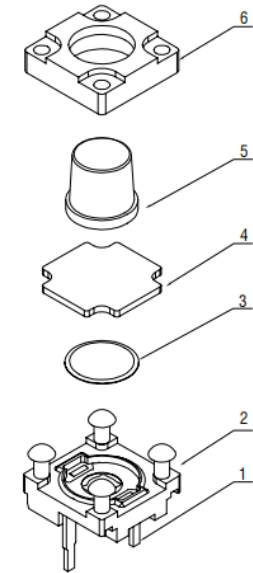
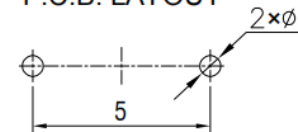
Bulk Package: Plastic bag
 Inner Package: Carton
 Outer Package:



CIRCUIT DIAGRAM



P.C.B. LAYOUT



H	4.3	4.5	5	5.5	6	6.5	7	7.5	8	8.5	9	9.5	10	10.5
H	11	11.5	12	12.5	13	13.5	14	14.5	15	15.5	16	16.5	17	



VERSION		PROJECTION	DESIGN	YUDA AO
KH14FE22E			DRAWN	ZHIJIE LU
SCALE	SIZE	 Dimensions are shown:mm(inches)	APPROVAL	JUNHUI XU
4:1	A4		2016.01.22	