

SWITCH CAP  
P/N:SC119



Materials ABS

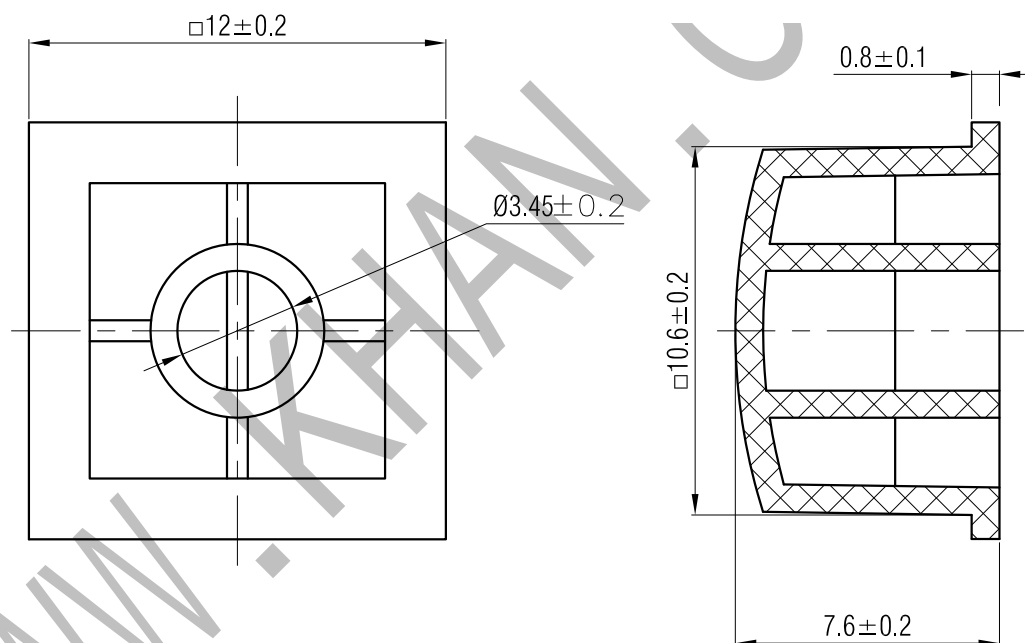
Color Grey  
(OEM AVAILABLE)

Packaging

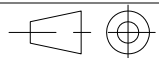
Bulk Package

Inner Package: Plastic bag

Outer Package: Carton



**WENZHOU KHAN ELECTRONIC**

VERSION		PROJECTION	DESIGN	SHUQING ZHU
KH14FE22E			DRAWN	ZHONGJU PENG
SCALE	SIZE	 Dimensions are shown:mm(inches) 2020.04.13	APPROVAL	JUNHUI XU
5:1	A4			