

# TACT SWITCH

P/N:TSL12131-0040

ILLUMINATED



Professional Manufacturer Since 2000

## SPECIFICATIONS

Function: Monentary action  
 Contact Arrangement: SPST, Normally Open  
 Termination: THD version

### Mechanical

Actuation Force: 180/280±50grams  
 Life Expectancy: 100,000 Operations

### Electrical

Contact Rating: 50mA @ 12V DC  
 Dielectric Strength: 250VAC for 1minute  
 Contact Resistance: 50mΩ Max.  
 Insulation Resistance: 100MΩ Min.  
 Travel: 0.3±0.1mm

### Environmental

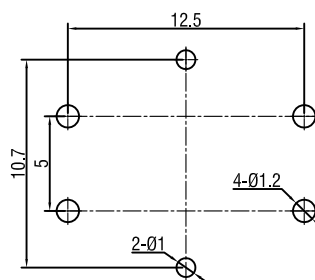
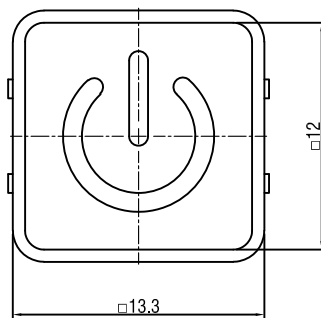
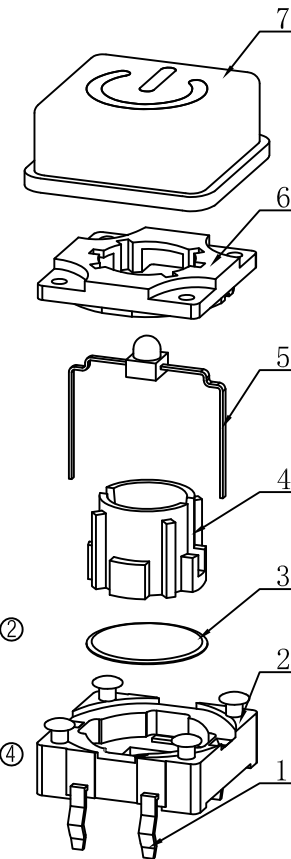
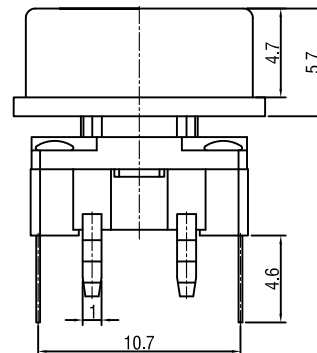
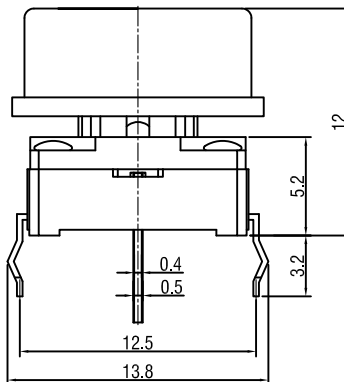
Operating Temperature: -25~ +70°C  
 Relative Humidity: (40°C) ≤70%

### Materials

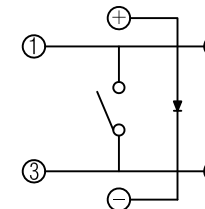
7.Cap: Silver gray GP.ABS  
 6.Cover: WhiteGP.PA66  
 5.LED: Customizable lighting colors  
 4.Cover: Black GP.PA66  
 3.Contact: Copper with Silver cladding  
 2.Holder: Black GP.PA66  
 1.Terminal: Copper with Silver Cladding

### Packaging

Bulk Package  
 Inner Package: Plastic bag  
 Outer Package: Carton



P.C.B. LAYOUT



CIRCUIT DIAGRAM

**KHON** WENZHOU KHAN ELECTRONIC

VERSION		PROJECTION	DESIGN	SHUQING ZHU
KH14FE22E			DRAWN	ZHONGJU PENG
SCALE	SIZE	Dimensions are shown:mm(inches)	APPROVAL	JUNHUI XU
1:1	A4		2019.10.11	