

**MICRO SWITCH**  
P/N:KW10-02



**SPECIFICATIONS**

Funtion: Momentary action  
Contact Arrangement: SPDT, Normally Open  
Termination: THD version

**Mechanical**

Actuation Force: 50 ~ 80grams  
Electrical Life: 10K Operations

**Electrical**

Contact Rating: 50mA @ 12V AC  
Dielectric Strength: 250V AC for 1minute  
Contact Resistance: 50mΩ Max.  
Insulation Resistance: 100MΩ Min.

**Environmental**

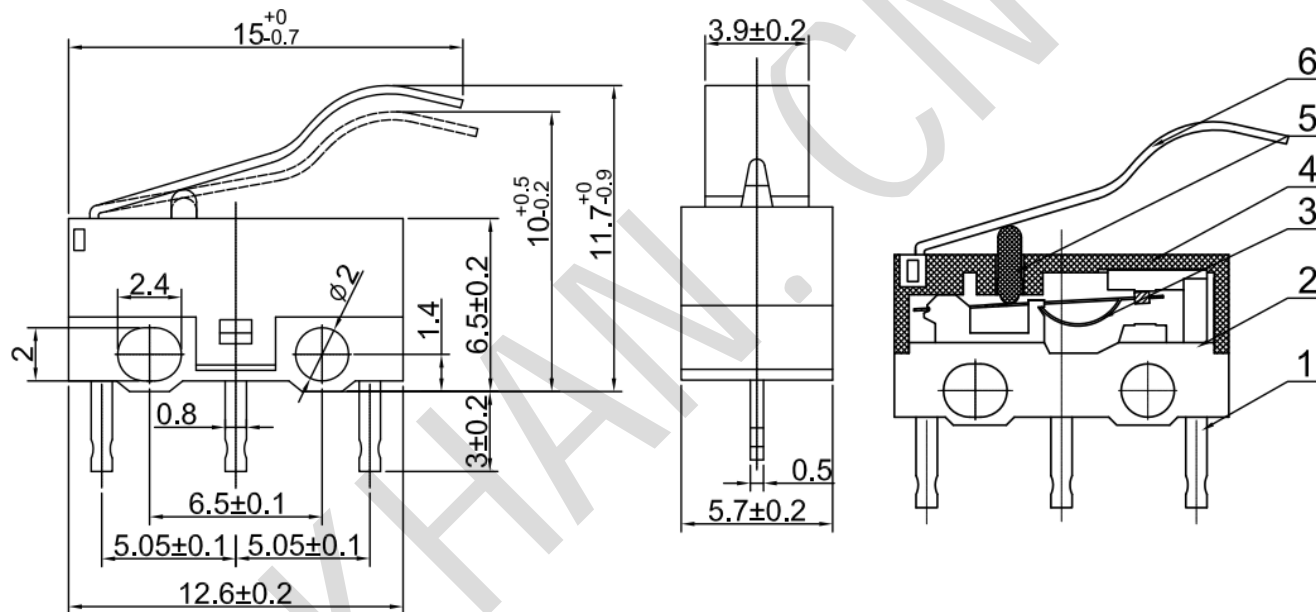
Operating Temperature: -25 ~ +70°C  
Relative Humidity: (40°C) ≤ 85%

**Materials**

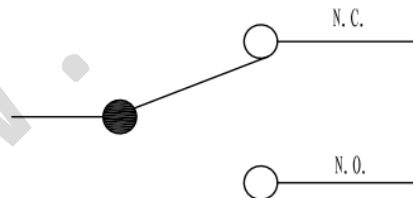
6.Springboard: Stainless Steel  
5.Stem: POM  
4.Cover: Black GP.PPA  
3.Contact: Silver Copper  
2.Holder: White GP.PPA  
1.Terminal: Silver plate Brass

**Packaging**

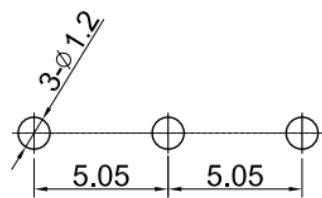
Bulk Package  
Inner Package: Plastic bag  
Outter Package: Carton



**CIRCUIT DIAGRAM**



**P.C.B. LAYOUT**



**KANGHONG ELECTRONIC**

VERSION		PROJECTION	DESIGN	YUDA AO
KH14FE22E			DRAWN	ZHIJIE LU
SCALE	SIZE	 Dimensions are shown:mm(inches)	APPROVAL	JUNHUI XU
4:1	A4		2016.04.30	