



TACT SWITCH

P/N:TSL06121-002E



SPECIFICATIONS

Funtion: Momentary action
 Contact Arrangement: SPST, Normally Open
 Termination: THD version

Mechanical

Actuation Force: 180±50grams
 Life Expectancy: 500,000 Operations

Electrical

Contact Rating: 50mA . 12V DC
 Dielectric Strength: 250V AC for 1 Min.
 Contact Resistance: 100mΩ Max.
 Insulation Resistance: 100MΩ Min.
 Travel: 0.25±0.1mm

Environmental

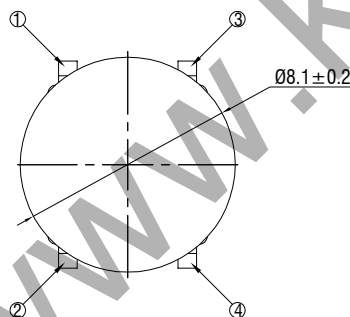
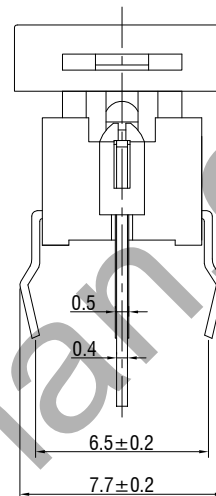
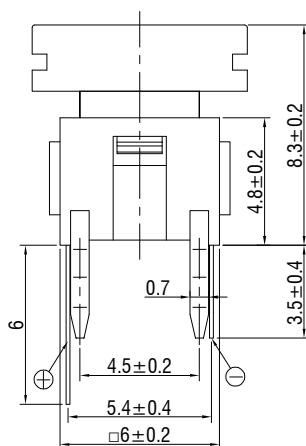
Operating Temperature: -40~+70℃
 Relative Humidity: (40℃)≤70%RH

Materials

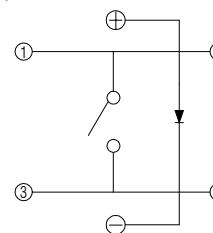
6.Cap: White GP.PC
 5.LED: White
 4.Stem: Beige GP.PA66
 3.Contact: Stainless Steel with Silver Cladding
 2.Holder: Black GP.PA66
 1.Terminal: Copper with Silver Cladding

Packaging

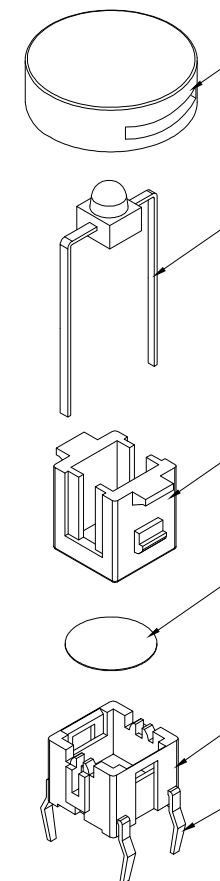
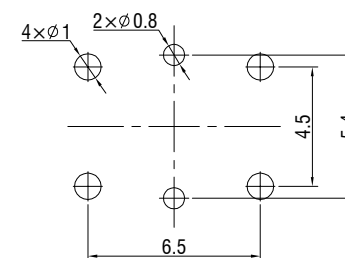
Bulk Package
 Inner Package: Plastic bag
 Outter Package: Carton



CIRCUIT DIAGRAM



P.C.B. LAYOUT



WENZHOU KHAN ELECTRONIC

VERSION		PROJECTION	DESIGNED	Wei Lin
KH14FE22E			CHECKED	ZhongJu Peng
SCALE	SIZE	 Dimensions are shown:mm(inches)	APPROVED	Johan Xu
4:1	A4		2022.05.11	