

# TACT SWITCH

P/N:TSA06831



## SPECIFICATIONS

Function: Momentary action  
 Contact Arrangement: SPST, Normally Open  
 Termination: SMD version

### Mechanical

Actuation Force: 180/250/280±50grams  
 Life Expectancy: 100K Operations

### Electrical

Contact Rating: 50mA @ 12V DC  
 Dielectric Strength: 250V AC for 1minute  
 Contact Resistance: 50mΩ Max.  
 Insulation Resistance: 100MΩ Min.  
 Travel: 0.25±0.1mm

### Environmental

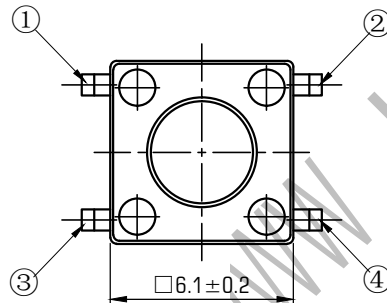
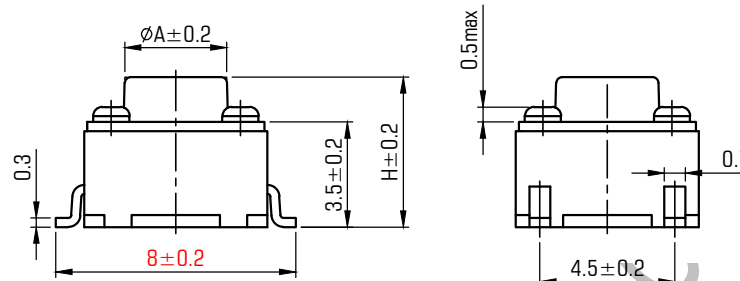
Operating Temperature: -25~+70°C  
 Relative Humidity: (40°C) ≤95%

### Materials

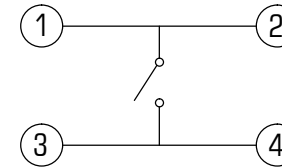
5.Cover: Ferrum with Nickelplate  
 4.Stem: Brown GP.PPA  
 3.Contact: Copper with Silver cladding  
 2.Holder: Brown GP.PPA  
 1.Terminal: Copper (H62Y) with Silver Cladding

### Packaging

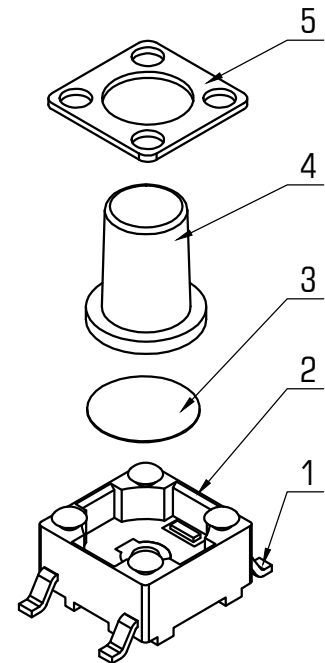
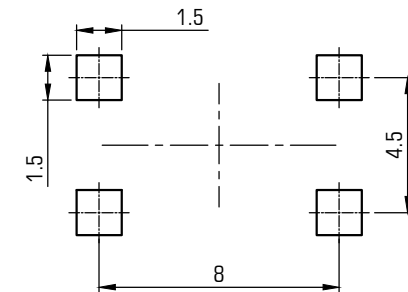
Bulk Package  
 Inner Package: Plastic bag  
 Outer Package: Carton



### CIRCUIT DIAGRAM



### P.C.B. LAYOUT



H	4.3	4.5	4.8	5	5.5	6	6.4	6.5	6.6	7	7.3	7.5	8	8.5
A	3.4	3.4	3.4	3.5	3.2	3.2	3	3.2	3.1	3.2	3.2	3.2	3.2	3.2
H	8.8	9	9.5	9.7	9.9	10	10.3	10.5	11	11.5	12	12.5	13	
A	3.1	3.1	3.2	3.1	3.2	3.2	3.2	3	3.1	3.2	3.2	3.1	3.2	



# KANGHONG ELECTRONIC

VERSION		PROJECTION 	DESIGN	YUDA AO
KH14FE22E			DRAWN	ZHIJIE LU
SCALE	SIZE	Dimensions are shown:mm(inches)	APPROVAL	JUNHUI XU
4:1	A4	2016.02.26		