

TACT SWITCH

P/N:TSA06330-H



SPECIFICATIONS

Function: Momentary action
 Contact Arrangement: SPST, Normally Open
 Termination: SMD version

Mechanical

Actuation Force: 180±50grams
 Life Expectancy: 100,000 Operations

Electrical

Contact Rating: 50mA @ 12V DC
 Dielectric Strength: 250VAC for 1 minute
 Contact Resistance: 100mΩ Max.
 Insulation Resistance: 100MΩ Min.
 Travel: 0.25±0.1mm

Environmental

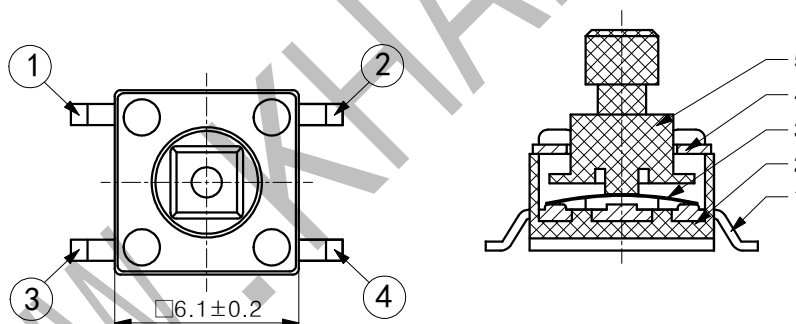
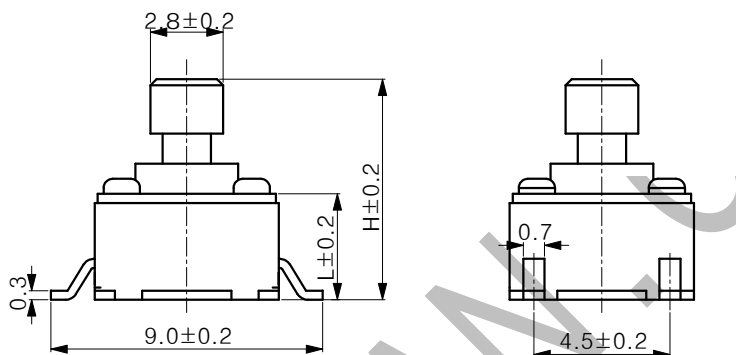
Operating Temperature: -25~+70℃
 Relative Humidity: (40℃)≤95%

Materials

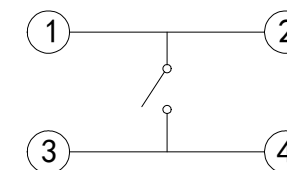
5.Stem: Brown GP.PPA
 4.Cover: Ferrum with Nickelplate
 3.Contact: stainless steel with Silver cladding
 2.Holder: Brown GP.PPA
 1.Terminal: Copper (H62Y t=0.3) with Silver Cladding

Packaging

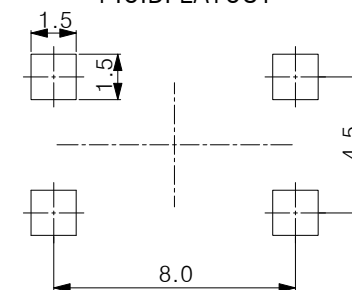
Bulk Package
 Inner Package: Plastic bag
 Outer Package: Carton



CIRCUIT DIAGRAM

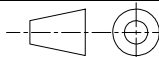


P.C.B. LAYOUT



H	7	7.3	7.5
L	4.2	4.5	4.7



VERSION		PROJECTION	DESIGN
KH14FE22E			DRAWN
SCALE	SIZE	 Dimensions are shown:mm(inches)	APPROVAL
4:1	A4		2014.02.22