

TACT SWITCH

P/N:TSA06131-H-002E



SPECIFICATIONS

Funtion: Momentary action
 Contact Arrangement: SPST, Normally Open
 Termination: THD version

Mechanical

Actuation Force: 180±50grams
 Life Expectancy: 500,000 Operations

Electrical

Contact Rating: 50mA . 12V DC
 Dielectric Strength: 250V AC for 1 Min.
 Contact Resistance: 100mΩ Max.
 Insulation Resistance: 100MΩ Min.
 Travel: 0.25±0.1mm

Environmental

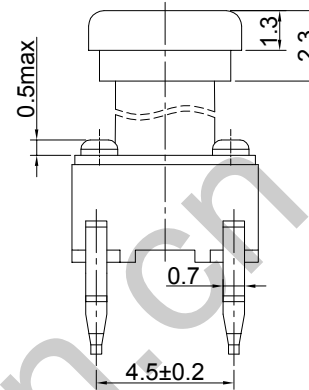
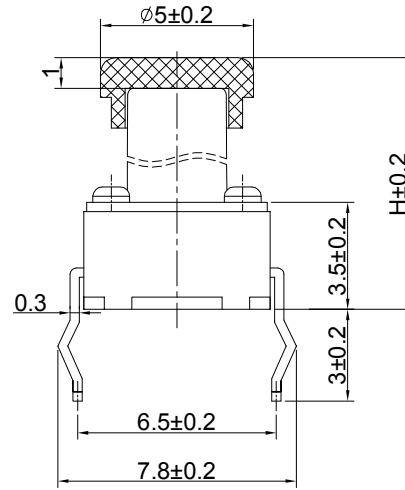
Operating Temperature: -25~+70℃
 Relative Humidity: (40℃)≤70%RH

Materials

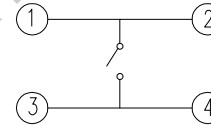
- 6.Cap: White GP.PC
- 5.Cover: Copper with Nickelplate
- 4.Stem: Black GP.PC
- 3.Contact: Stainless Steel with Silver cladding
- 2.Holder: Black GP.PA66
- 1.Terminal: Copper with Silver Cladding

Packaging

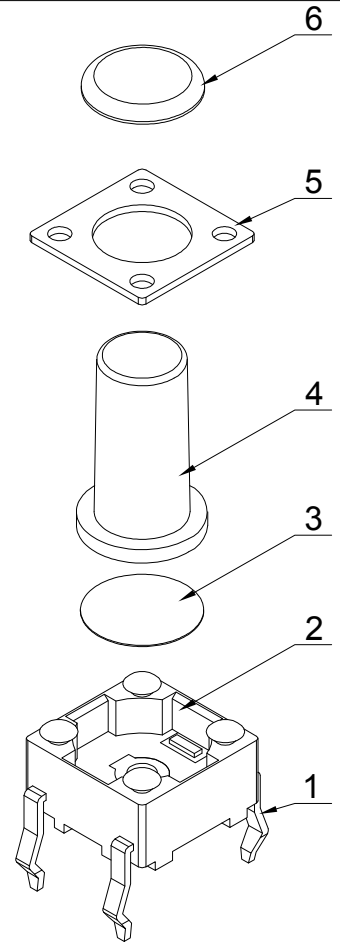
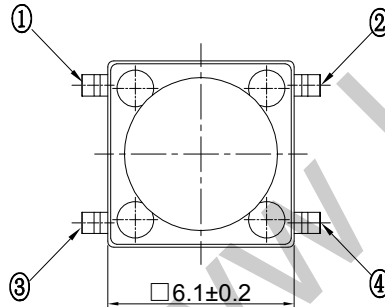
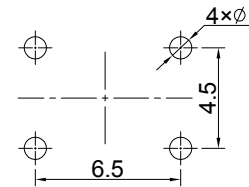
Bulk Package
 Inner Package: Plastic bag
 Outter Package: Carton



CIRCUIT DIAGRAM



P.C.B. LAYOUT



H	9	9.5	10	10.5	11	11.5	11.7	12	12.5	13	13.5	14
H	14.5	15	15.5	15.7	16	16.5	17	17.5	18	18.2	18.5	19
H	19.5	19.7	20	20.2	20.5	20.7	21	21.2	21.7	22	22.5	23
H	23.5	23.7	24	24.5	25	25.5	25.7	26	27	27.2	27.9	28
H	28.2	28.4	29	30	31	32						



WENZHOU KHAN ELECTRONIC

VERSION		PROJECTION	DESIGNED	Wei Lin
KH14FE22E			CHECKED	ZhongJu Peng
SCALE	SIZE	 Dimensions are shown:mm(inches)	APPROVED	Johan Xu
5:1	A4		2022.05.11	