

# TACT SWITCH

P/N:TSB06339-H

## SPECIFICATIONS

Function: Momentary action  
 Contact Arrangement: SPST, Normally Open  
 Termination: SMD version

### Mechanical

Actuation Force: 180±50grams  
 Life Expectancy: 120,000 Operations

### Electrical

Contact Rating: 50mA @ 12V DC  
 Dielectric Strength: 250V AC for 1minute  
 Contact Resistance: 100mΩ Max.  
 Insulation Resistance: 100MΩ Min.  
 Travel: 0.25±0.1mm

### Environmental

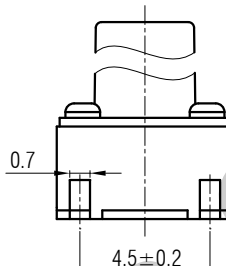
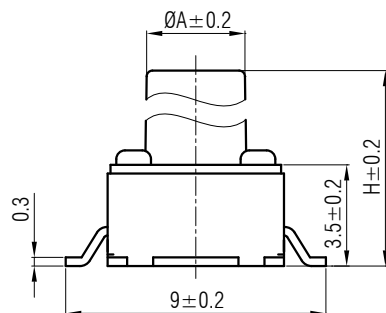
Operating Temperature: -25~+70℃  
 Relative Humidity: (40℃) ≤95%

### Materials

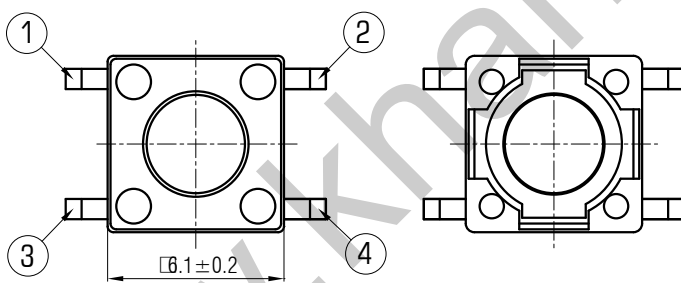
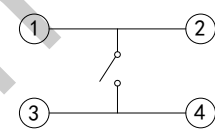
5. Cover: Ferrum with Nickelplate  
 4. Stem: Brown GP.PPA  
 3. Contact: stainless steel with Silver cladding  
 2. Holder: Brown GPPPA  
 1. Terminal: Copper (H62Y t=0.3) with Silver Cladding

### Packaging

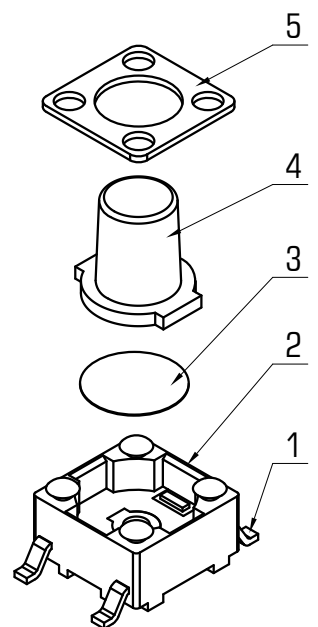
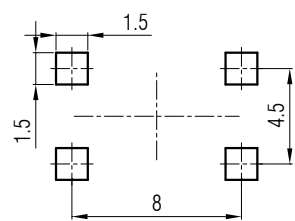
T/R Package  
 Inner Package: T/R  
 Outer Package: Carton



### CIRCUIT DIAGRAM



### P.C.B. LAYOUT



H	4.3	5	7	7.3	8	9.5	12.5	13
A	3.4	3.5	3.2	3.2	3.2	3.2	3.1	3.2



# KHAN ELECTRONIC

VERSION		PROJECTION	DESIGN	敖余达
KH14FE22E			DRAWN	敖余达
SCALE	SIZE	Dimensions are shown:mm(inches)	APPROVAL	徐君辉
4:1	A4		2017.05.27	