



TACT SWITCH

P/N:TSA06130-H



SPECIFICATIONS

Funtion: Momentary action
 Contact Arrangement: SPST, Normally Open
 Termination: THD version

Mechanical

Actuation Force: 180±50grams
 Life Expectancy: 100K Operations

Electrical

Contact Rating: 50mA @ 12V DC
 Dielectric Strength: 250V AC for 1minute
 Contact Resistance: 50mΩ Max.
 Insulation Resistance: 100MΩ Min.
 Travel: 0.25±0.1mm

Environmental

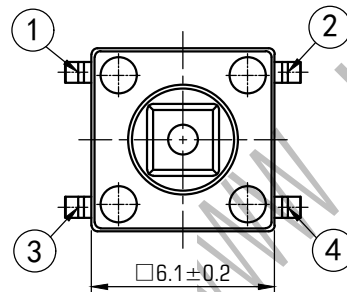
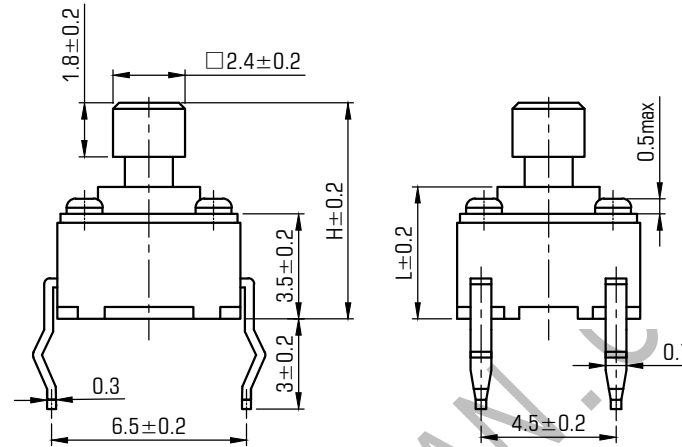
Operating Temperature: -25~+70°C
 Relative Humidity: (40°C) ≤95%

Materials

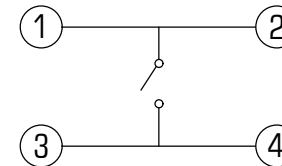
5.Cover: Ferrum with Nickelplate
 4.Stem: Black GP.PA66
 3.Contact: Copper with Silver cladding
 2.Holder: Black GP.PA66
 1.Terminal: Copper (H62Y) with Silver Cladding

Packaging

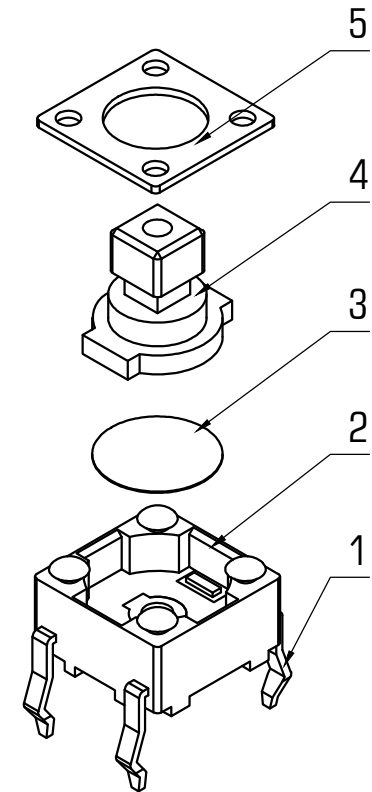
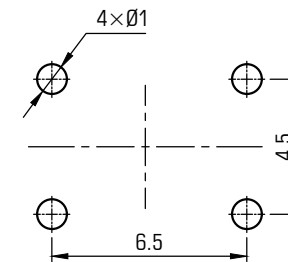
Bulk Package
 Inner Package: Plastic bag
 Outer Package: Carton



CIRCUIT DIAGRAM



P.C.B. LAYOUT



H	7	7.3	7.5
L	4.2	4.5	4.7



KANGHONG ELECTRONIC

VERSION		PROJECTION	DESIGN	YUDA AO
KH14FE22E			DRAWN	ZHIJIE LU
SCALE	SIZE	Dimensions are shown:mm(inches) 2015.11.30	APPROVAL	JUNHUI XU
4:1	A4			